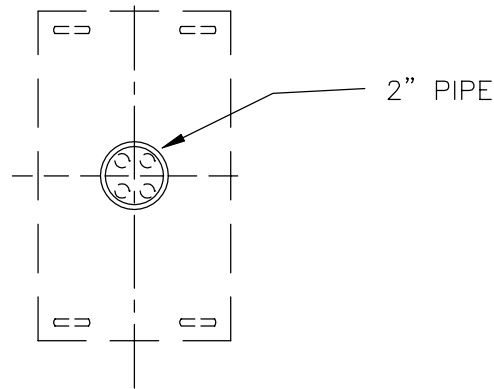
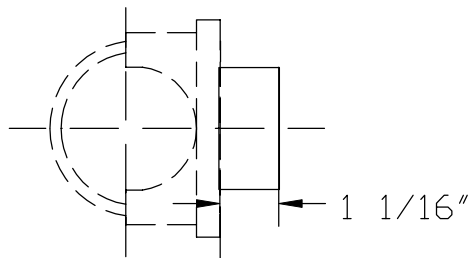


8" LINE



Design, PT&P 9/20/1999 8:21 AM IS-32

CLIENT NAME: _____
 PROJECT NAME: _____
 REQUISITION#: _____
 PT&P JOB#: _____ ITEM#: _____
 P.O.#: _____
 DWG#: _____
 REV#: _____
 MARK#: _____
 FINISH: _____
 DATE#: _____

FIGURE#: IS-665S (8" DIA. HORZ. OR VERT. LINE)
 DESCRIPTION: PRIMARY INSTRUMENT SUPPORT MODULE, PREFAB,
 SINGLE INSTRUMENT, U-BOLT MOUNT SADDLE W/2"
 THREADED COUPLING FOR 8" DIA. HORIZONTAL OR
 VERTICAL PIPE.

**PIPING TECHNOLOGY &
 PRODUCTS, INC.**

P.O. BOX 34506
 3701 HOLMES RD.
 TELE#: (713)731-0030
<http://www.pipingtech.com/>

HOUSTON TEXAS 77234
 HOUSTON TEXAS 77051
 FAX#: (713)731-8640
 E-MAIL: info@pipingtech.com

