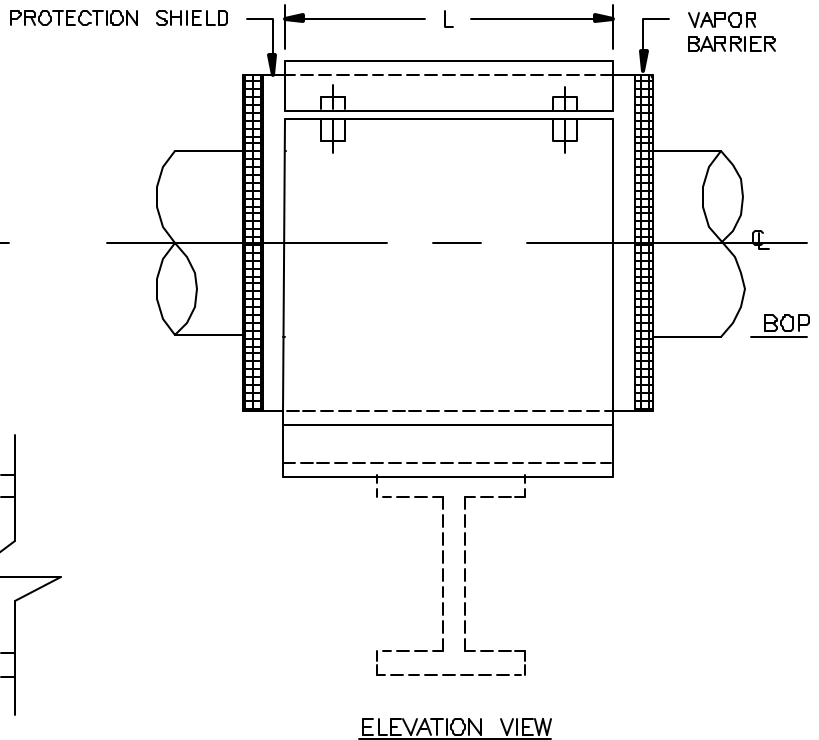
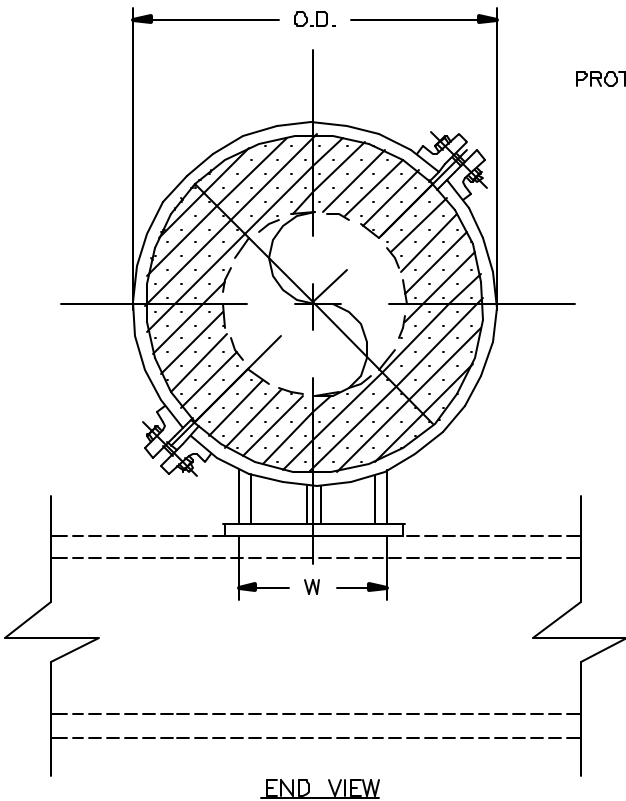


SPECIFICATIONS

INSULATION THK: _____
 SHOE LENGTH: _____
 LOADS: VERTICAL _____
 LATERAL _____
 AXIAL _____
 TEMPERATURE: _____



Design: PT&P 5/29/1999 1:53 PM CS-1031

NOTES

FIGURE#. CS-1031 (CRYOSHOE™)
 DESCRIPTION: RESTING SHOE, DOUBLE-T-BASE,
 360° INS., WITH BOLTS

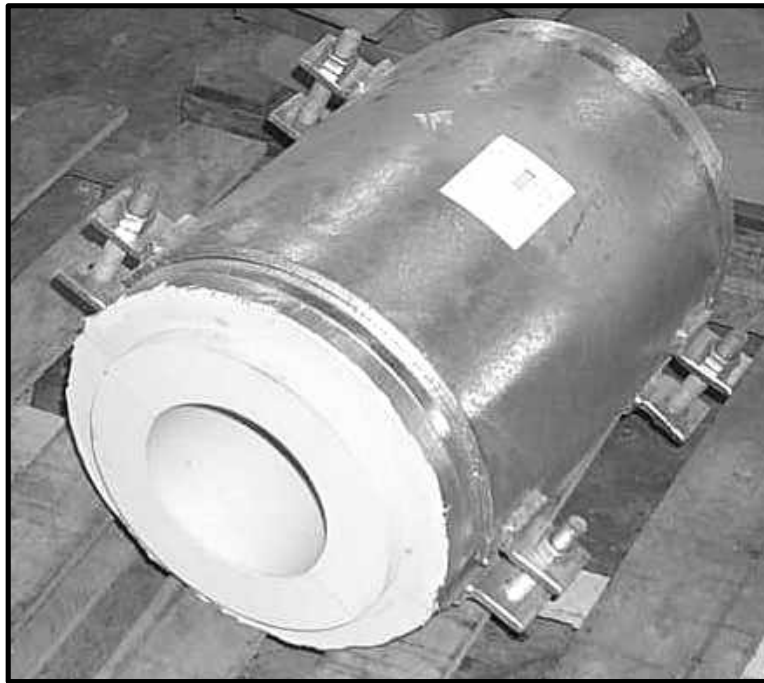
FUNCTION:	USE TO SUPPORT VERTICAL LOADS - - - - -
PIPE SIZE:	24" TO 42" NPS.
MATERIAL:	GALVANIZED OR HDG CARBON STEEL
INSULATION:	HIGH DENSITY POLYURETHANE WITH VAPOR BARRIER
TEMP. RANGE:	AMBIENT TO -300°F
LAYERING SY:	SEE LAYERING CHARTS
SHOE LTH.(L):	STANDARD SHOE AVAILABLE IN 12" & 18" LENGTHS
TO ORDER:	SPECIFY PIPE SIZE, INSULATION THK., LENGTH HENCE: (CS-1031)-NPS-THK.-L
LOADS:	ALL LOADS ON ADJACENT CHART HAVE A SAFETY FACTOR OF 5

CLIENT NAME: _____
 PROJECT NAME: _____
 REQUISITION#: _____
 P O #: _____
 DWG#: _____
 MARK#: _____
 PT&P JOB# _____ ITEM# _____
 DATE: _____

PIPING TECHNOLOGY & PRODUCTS, INC.

P.O. BOX 34506 HOUSTON TEXAS 77234
 3701 HOLMES RD. HOUSTON TEXAS 77051
 TELE#:(713)731-0030 FAX#:(713)731-8640
 http://www.pipingtech.com/ E-MAIL: info@pipingtech.com





Clamped Cold Shoe assembled and ready for shipment

Pipe size	L=12" Vertical Load(lbs)	L=18" Vertical Load(lbs)	Insulation Thickness								
			1"			1-1/2"			2"		
			W	O.D.	H	W	O.D.	H	W	O.D.	H
24"	11605	16579	14-1/2"	27"	4"	15"	28"	4"	15-1/2"	29"	4"
26"	12573	17961	16-1/4"	29-1/2"	4"	16-3/4"	30-1/2"	4"	17-1/4"	31-1/2"	4"
28"	13540	19342	17-1/4"	31-1/2"	4"	17-3/4"	32-1/2"	4"	18-1/4"	33-1/2"	4"
30"	14507	20724	18-1/4"	33-1/2"	4"	18-3/4"	34-1/2"	4"	19-1/4"	35-1/2"	4"
32"	15474	22106	19-1/4"	35-1/2"	4"	19-3/4"	36-1/2"	4"	20-1/4"	37-1/2"	4"
34"	16441	23487	20-1/4"	37-1/2"	4"	20-3/4"	38-1/2"	4"	21-1/4"	39-1/2"	4"
36"	17408	24869	21-1/4"	39-1/2"	4"	21-3/4"	40-1/2"	4"	22-1/4"	41-1/2"	4"
40"	19342	27632	23-1/4"	43-1/2"	4"	23-3/4"	44-1/2"	4"	24-1/4"	45-1/2"	4"
42"	20310	29014	24-1/4"	45-1/2"	4"	24-3/4"	46-1/2"	4"	25-1/4"	47-1/2"	4"

Pipe size	L=12" Vertical Load(lbs)	L=18" Vertical Load(lbs)	Insulation Thickness											
			2-1/2"			3"			3-1/2"			4"		
			W	O.D.	H	W	O.D.	H	W	O.D.	H	W	O.D.	H
24"	11605	16579	16"	30"	6"	16-1/2"	31"	6"	17"	32"	6"	17-1/2"	33"	6"
26"	12573	17961	17-3/4"	32-1/2"	6"	18-1/4"	33-1/2"	6"	18-3/4"	34-1/2"	6"	19-1/4"	35-1/2"	6"
28"	13540	19342	18-3/4"	34-1/2"	6"	19-1/4"	35-1/2"	6"	19-3/4"	36-1/2"	6"	20-1/4"	37-1/2"	6"
30"	14507	20724	19-3/4"	36-1/2"	6"	20-1/4"	37-1/2"	6"	20-3/4"	38-1/2"	6"	21-1/4"	39-1/2"	6"
32"	15474	22106	20-3/4"	38-1/2"	6"	21-1/4"	39-1/2"	6"	21-3/4"	40-1/2"	6"	22-1/4"	41-1/2"	6"
34"	16441	23487	21-3/4"	40-1/2"	6"	22-1/4"	41-1/2"	6"	22-3/4"	42-1/2"	6"	23-1/4"	43-1/2"	6"
36"	17408	24869	22-3/4"	42-1/2"	6"	23-1/4"	43-1/2"	6"	23-3/4"	44-1/2"	6"	24-1/4"	45-1/2"	6"
40"	19342	27632	24-3/4"	46-1/2"	6"	25-1/4"	47-1/2"	6"	25-3/4"	48-1/2"	6"	26-1/4"	49-1/2"	6"
42"	20310	29014	25-3/4"	48-1/2"	6"	26-1/4"	49-1/2"	6"	26-3/4"	50-1/2"	6"	27-1/4"	51-1/2"	6"