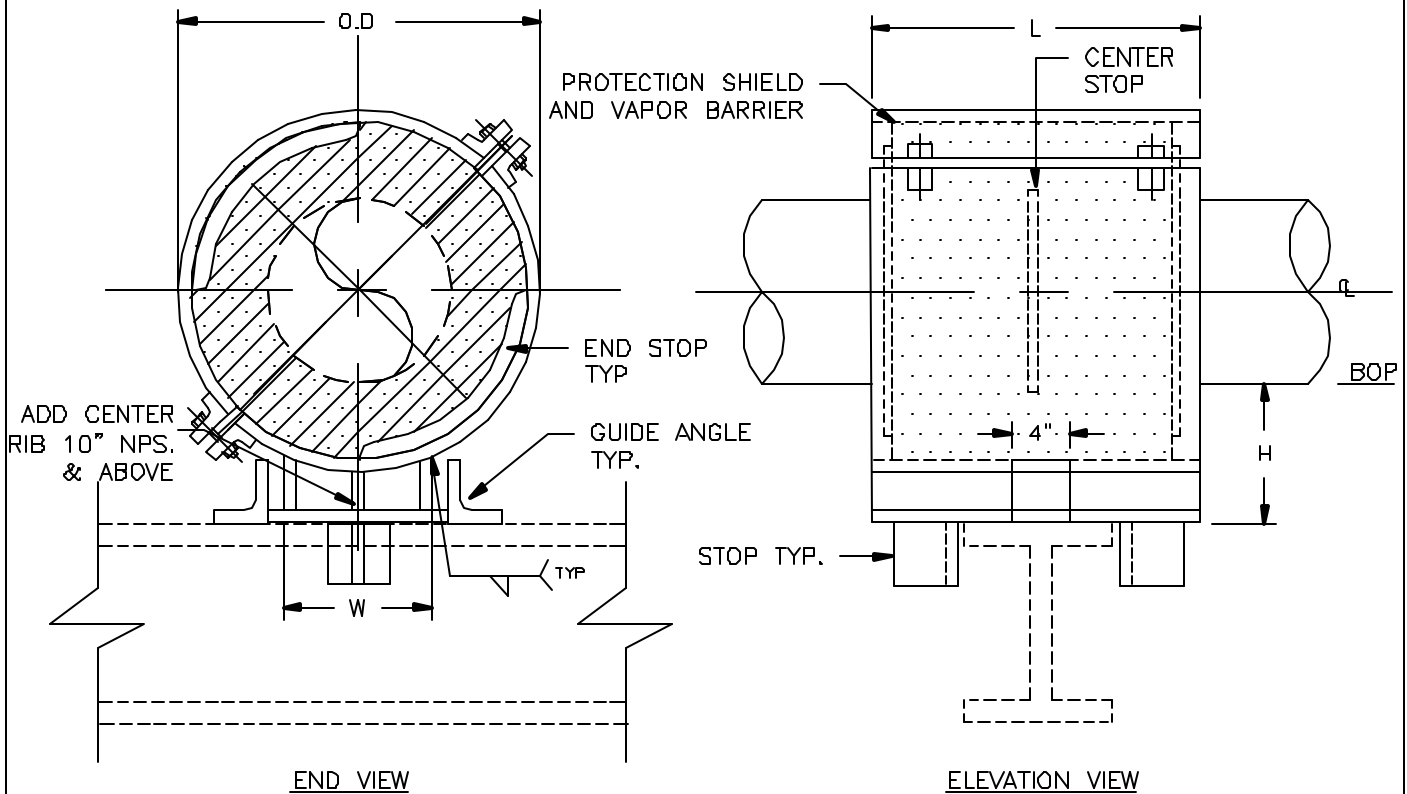


## SPECIFICATIONS

INSULATION THK: \_\_\_\_\_  
 SHOE LENGTH: \_\_\_\_\_  
 LOADS: VERTICAL \_\_\_\_\_  
           LATERAL \_\_\_\_\_  
           AXIAL \_\_\_\_\_  
 TEMPERATURE: \_\_\_\_\_



Design, PT&P 3/28/1999 4:23 PM CS-2031

## NOTES

FIGURE#: CS-2031 (CRYOSHOE™)  
 DESCRIPTION: ANCHOR TYPE SHOE, DOUBLE-T-BASE, STOPS AND GUIDES

CLIENT NAME: \_\_\_\_\_  
 PROJECT NAME: \_\_\_\_\_  
 REQUISITION#: \_\_\_\_\_  
 P.O.#: \_\_\_\_\_  
 DWG#: \_\_\_\_\_  
 MARK#: \_\_\_\_\_  
 PT&P JOB#: \_\_\_\_\_ ITEM#: \_\_\_\_\_  
 DATE: \_\_\_\_\_

FUNCTION	USE TO SUPPORT VERTICAL LOADS WHILE LIMITING AXIAL & LATERAL MOVEMENT WITH THE USE OF GUIDES AND STOPS. MOVEMENT OF PIPE INSIDE THE COLD SHOE LIMITED BY CENTER STOP AND END STOPS.
PIPE SIZE	24" TO 42" NPS.
MATERIAL	GALVANIZED OR HOG CARBON STEEL
INSULATION	HIGH DENSITY POLYURETHANE WITH VAPOR BARRIER
TEMP. RANGE	AMBIENT TO -300°F
LAYERING SY	SEE LAYERING CHARTS
SHOE LTH.(L)	STANDARD SHOE AVAILABLE IN 12" & 18" LENGTHS
TO ORDER	SPECIFY PIPE SIZE, INSULATION THK., LENGTH HENCE: (CS-2031)-NPS-THK.-L
LOADS	ALL LOADS ON ADJACENT CHART HAVE A SAFETY FACTOR OF 5

## PIPING TECHNOLOGY & PRODUCTS, INC.

P.O. BOX 34506                      HOUSTON TEXAS 77234  
 3701 HOLMES RD.                    HOUSTON TEXAS 77051  
 TELE#:(713)731-0030                FAX#:(713)731-8640  
<http://www.pipingtech.com/>        E-MAIL: info@pipingtech.com





Polyurethane Form made for a 12" Pipe

Pipe size	Vertical Load(lbs)	Vertical Load(lbs)	Insulation Thickness															
			1"			1-1/2"			2"			2-1/2"						
			W	Axial load (lbs.)	O.D.	H	W	Axial load (lbs.)	O.D.	H	W	Axial load (lbs.)	O.D.	H	W	Axial load (lbs.)	O.D.	H
24"	11605	16579	12"	22111	27"	4"	12"	23844	28"	4"	13"	25643	29"	6"	13"	27508	30"	6"
26"	12573	17961	14"	25643	29-1/2"	4"	14"	27508	30-1/2"	6"	15"	29438	31-1/2"	6"	15-1/2"	31433	32-1/2"	6"
28"	13540	19342	14-1/2"	29438	31-1/2"	4"	15"	31433	32-1/2"	6"	15-1/2"	33493	33-1/2"	6"	16"	35619	34-1/2"	6"
30"	14507	20724	16"	33493	33-1/2"	4"	16-1/2"	35619	34-1/2"	6"	18"	37811	35-1/2"	6"	18"	40068	36-1/2"	6"
32"	15474	22106	18"	37811	35-1/2"	4"	18-1/2"	40068	36-1/2"	6"	18-1/2"	42390	37-1/2"	6"	19"	44778	38-1/2"	6"
34"	16441	23487	18"	42390	37-1/2"	4"	18-1/2"	44778	38-1/2"	6"	19"	47231	39-1/2"	6"	20"	49749	40-1/2"	6"
36"	17408	24869	19"	47231	39-1/2"	4"	19"	49749	40-1/2"	6"	19-1/2"	52333	41-1/2"	6"	19-1/2"	54983	42-1/2"	6"
40"	19342	27632	18"	57698	43-1/2"	4"	18"	60478	44-1/2"	6"	19"	63323	45-1/2"	6"	20"	66234	46-1/2"	6"
42"	20310	29014	18"	63323	45-1/2"	4"	19"	66234	46-1/2"	6"	20"	69211	47-1/2"	6"	21"	72253	48-1/2"	6"

Pipe size	Vertical Load(lbs)	Vertical Load(lbs)	Insulation Thickness											
			3"			3-1/2"			4"					
			W	Axial load (lbs.)	O.D.	H	W	Axial load (lbs.)	O.D.	H	W	Axial load (lbs.)	O.D.	H
24"	11605	16579	14"	29438	31"	6"	16"	31433	32"	6"	16"	33493	33"	8"
26"	12573	17961	16"	33493	33-1/2"	6"	16"	35619	34-1/2"	6"	16"	37811	35-1/2"	8"
28"	13540	19342	16"	37811	35-1/2"	6"	17"	40068	36-1/2"	6"	16-1/2"	42390	37-1/2"	8"
30"	14507	20724	20"	42390	37-1/2"	6"	20"	44778	38-1/2"	6"	20"	47231	39-1/2"	8"
32"	15474	22106	20"	47231	39-1/2"	6"	21"	49749	40-1/2"	6"	21"	52333	41-1/2"	8"
34"	16441	23487	21-1/2"	52333	41-1/2"	6"	22"	54983	42-1/2"	6"	21-1/2"	57698	43-1/2"	8"
36"	17408	24869	20"	57698	43-1/2"	6"	21"	60478	44-1/2"	6"	21"	63323	45-1/2"	8"
40"	19342	27632	21"	69211	47-1/2"	6"	22"	72253	48-1/2"	6"	22"	75360	49-1/2"	8"
42"	20310	29014	22"	75360	49-1/2"	6"	23"	78533	50-1/2"	6"	23"	81771	51-1/2"	8"