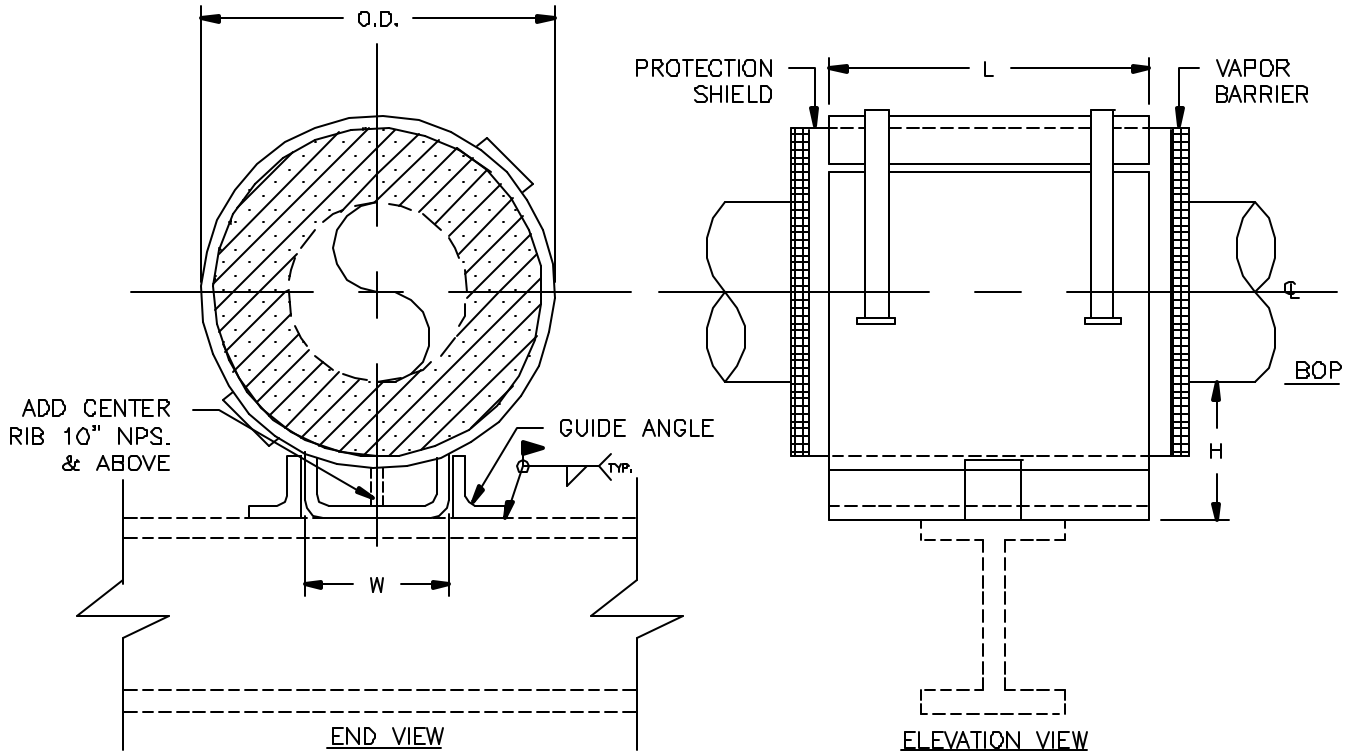


## SPECIFICATIONS

INSULATION THK: \_\_\_\_\_  
 SHOE LENGTH: \_\_\_\_\_  
 LOADS: VERTICAL \_\_\_\_\_  
           LATERAL \_\_\_\_\_  
           AXIAL \_\_\_\_\_  
 TEMPERATURE \_\_\_\_\_



Design: PT&P 6/1/1999 3:22 PM CS-4021

## NOTES

	FIGURE#: CS-4021 (CRYOSHOE™) DESCRIPTION: GUIDED SHOES, U-TYPE BASE, 360° INS, WITH BANDSTRAPS	
FUNCTION: USE TO SUPPORT VERTICAL LOADS WHILE PREVENTING LATERAL MOVEMENT - - - -	CLIENT NAME: _____ PROJECT NAME: _____ REQUISITION#: _____ P.O.#: _____ DWG#: _____ MARK#: _____ PT&P JOB#: _____ ITEM#: _____ DATE: _____	
PIPE SIZE: 8" TO 20" NPS. MATERIAL: GALVANIZED OR HDG CARBON STEEL INSULATION: HIGH DENSITY POLYURETHANE WITH VAPOR BARRIER TEMP. RANGE: AMBIENT TO -300°F LAYERING SY.: SEE LAYERING CHARTS SHOE LTH,(L): STANDARD SHOE AVAILABLE IN 12" & 18" LENGTHS	<b>PIPING TECHNOLOGY &amp; PRODUCTS, INC.</b>	
TO ORDER: SPECIFY PIPE SIZE, INSULATION THK., LENGTH HENCE: (CS-4021)-NPS-THK.-L LOADS: ALL LOADS ON ADJACENT CHART HAVE A SAFETY FACTOR OF 5	P.O. BOX 34506 3701 HOLMES RD TELE#:(713)731-0030 http://www.pipingtech.com/	HOUSTON TEXAS 77234 HOUSTON TEXAS 77051 FAX#:(713)731-8640 E-MAIL: info@pipingtech.com





Guided Coldshoe in transit to shipping

Pipe size	L=12" Vertical Load(lbs)	L=18" Vertical Load(lbs)	Insulation Thickness								
			1"			1-1/2"			2"		
			W	O.D.	H	W	O.D.	H	W	O.D.	H
8"	2502	3575	6-1/2"	11-1/2"	4"	7"	12-1/2"	4"	7-1/2"	13-1/2"	4"
10"	3119	4456	7-1/2"	13-1/2"	4"	8-1/8"	14-3/4"	4"	8-5/8"	15-3/4"	4"
12"	3699	5285	8-1/2"	13-15/16"	4"	9-1/8"	16-3/4"	4"	9-5/8"	17-3/4"	4"
14"	4062	5803	9-1/2"	17"	4"	10"	18"	4"	10-1/2"	19"	4"
16"	7737	11053	10-1/2"	19"	4"	11"	20"	4"	11-1/2"	21"	4"
18"	8704	12434	11-1/2"	21"	4"	12"	22"	4"	12-1/2"	23"	4"
20"	9671	13816	12-1/2"	23"	4"	13"	24"	4"	13-1/2"	25"	4"

Pipe size	L=12" Vertical Load(lbs)	L=18" Vertical Load(lbs)	Insulation Thickness											
			2-1/2"			3"			3-1/2"			4"		
			W	O.D.	H	W	O.D.	H	W	O.D.	H	W	O.D.	H
8"	2502	3575	8-1/8"	14-3/4"	4"	8-5/8"	15-3/4"	6"	9-1/8"	16-3/4"	6"	9-5/8"	17-3/4"	6"
10"	3119	4456	9-1/8"	16-3/4"	4"	9-5/8"	17-3/4"	6"	10-1/8"	18-3/4"	6"	10-5/8"	19-3/4"	6"
12"	3699	5285	10-1/8"	18-3/4"	4"	10-5/8"	19-3/4"	6"	11-1/8"	20-3/4"	6"	11-5/8"	21-3/4"	6"
14"	4062	5803	11"	20"	4"	11-1/2"	21"	6"	12"	22"	6"	12-1/2"	23"	6"
16"	7737	11053	12"	22"	6"	12-1/2"	23"	6"	13"	24"	6"	13-1/2"	25"	6"
18"	8704	12434	13"	24"	6"	13-1/2"	25"	6"	14"	26"	6"	14-1/2"	27"	6"
20"	9671	13816	14"	26"	6"	14-1/2"	27"	6"	15"	28"	6"	15-1/2"	29"	6"