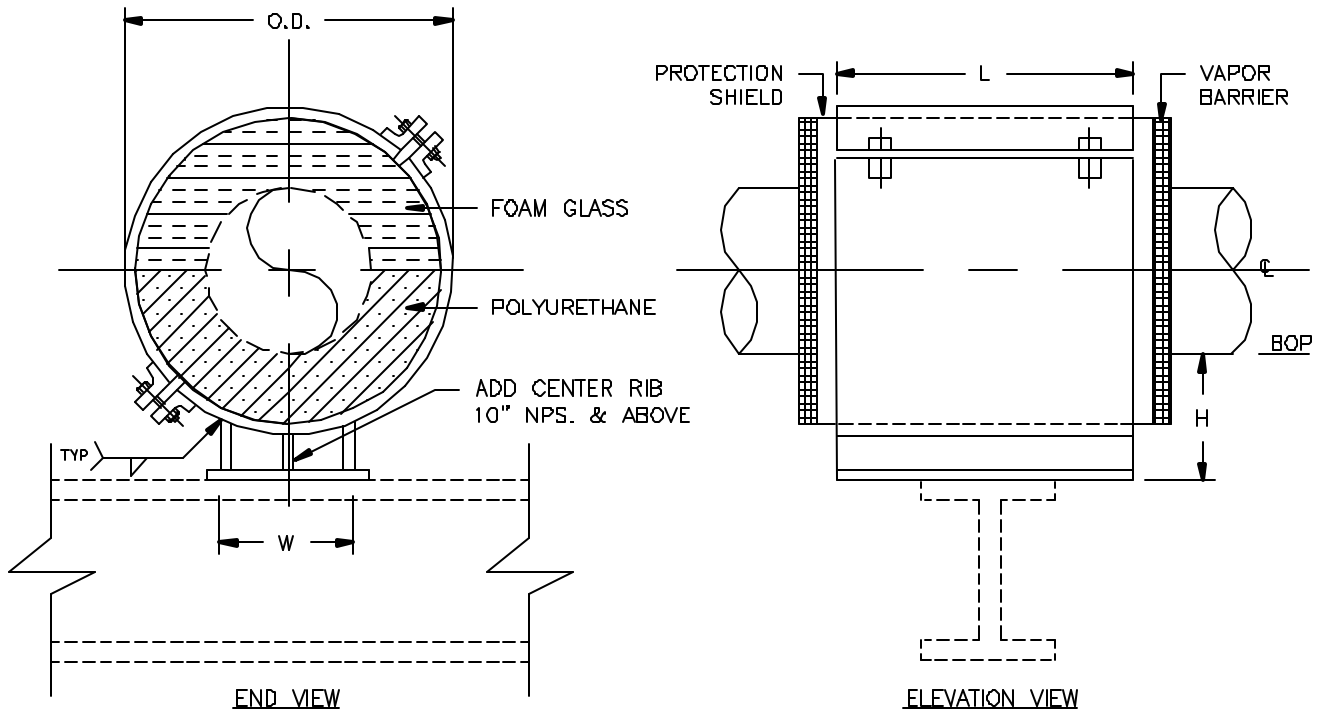


SPECIFICATIONS

INSULATION THK: _____
 SHOE LENGTH: _____
 LOADS: VERTICAL _____
 LATERAL _____
 AXIAL _____
 TEMPERATURE: _____



Design: PT&P 6/2/1999 8:13 AM CS-6060

NOTES

FIGURE#: CS-6060 (CRYOSHOE™)
 DESCRIPTION: MISCELLANEOUS SHOES, FOAMGLAS-
 PUF HYBRID SHOE

FUNCTION:	USE TO SUPPORT VERTICLE LOADS.
PIPE SIZE:	1/2" TO 42" NPS.
MATERIAL:	GALVANIZED OR HDG CARBON STEEL
INSULATION:	FOAM GLASS, HIGH DENSITY POLYURETHANE WITH VAPOR BARRIER
TEMP. RANGE:	AMBIENT TO -300°F
LAYERING SY.:	SEE LAYERING CHARTS
SHOE LTH,(L),	STANDARD SHOE AVAILABLE IN 12" & 18" LENGTHS
TO ORDER:	SPECIFY PIPE SIZE, INSULATION THK., LENGTH HENCE: (CS-6060)-NPS-THK.-L
LOADS:	ALL LOADS ON ADJACENT CHART HAVE A SAFETY FACTOR OF 5

CLIENT NAME: _____
 PROJECT NAME: _____
 REQUISITION#: _____
 P.O.#: _____
 DWG#: _____
 MARK#: _____
 PT&P JOB#: _____ ITEM#: _____
 DATE: _____

PIPING TECHNOLOGY & PRODUCTS, INC.

P.O. BOX 34506 HOUSTON TEXAS 77234
 3701 HOLMES RD. HOUSTON TEXAS 77051
 TELE#:(713)731-0030 FAX#:(713)731-8640
<http://www.pipingtech.com/> E-MAIL: info@pipingtech.com



CS-6060 Miscellaneous Shoes: Foamglas-PUF Hybrid Shoe

Pipe size	L=12" Vertical Load(lbs)	L=18" Vertical Load(lbs)	Insulation Thickness								
			1"			1-1/2"			2"		
			W	O.D.	H	W	O.D.	H	W	O.D.	H
1/2"	162	232	3"	3-1/8"	4"	3"	4-1/4"	4"	3"	5-1/4"	4"
3/4"	203	290	3"	3-1/8"	4"	3"	4-1/4"	4"	3"	5-1/4"	4"
1"	254	363	3"	3-3/4"	4"	3"	4-3/4"	4"	3"	5-13/16"	4"
1-1/4"	321	459	3"	3-3/4"	4"	3"	5-1/4"	4"	3"	5-13/16"	4"
1-1/2"	368	525	3"	4-1/4"	4"	3"	5-1/4"	4"	3"	6-7/8"	4"
2"	459	656	4"	5"	4"	4"	6-1/16"	4"	4"	7-1/4"	4"
2-1/2"	556	794	4"	5-1/2"	4"	4"	7-1/8"	4"	4"	8-1/8"	4"
3"	677	967	4"	6-1/16"	4"	4"	7-1/8"	4"	4"	8-1/8"	4"
3-1/2"	774	1105	4"	7-1/8"	4"	4"	8-1/8"	4"	4"	9-1/8"	4"
4"	870	1243	4"	7-1/8"	4"	4"	8-1/8"	4"	4"	9-1/8"	4"
5"	1076	1537	4"	8-1/8"	4"	4"	9-1/8"	4"	4"	10-1/8"	4"
6"	1281	1831	6"	9-3/8"	4"	6"	10-3/8"	4"	6"	11-1/2"	4"
8"	2502	3575	6-1/2"	11-1/2"	4"	7"	12-1/2"	4"	7-1/2"	13-1/2"	4"
10"	3119	4456	7-1/2"	13-1/2"	4"	8-1/8"	14-3/4"	4"	8-5/8"	15-3/4"	4"
12"	3699	5285	8-1/8"	14-3/4"	4"	9-1/8"	16-3/4"	4"	9-5/8"	17-3/4"	4"
14"	4062	5803	9-1/2"	17"	4"	10"	18"	4"	10-1/2"	19"	4"

Pipe size	L=12" Vertical Load(lbs)	L=18" Vertical Load(lbs)	Insulation Thickness											
			2-1/2"			3"			3-1/2"			4"		
			W	O.D.	H	W	O.D.	H	W	O.D.	H	W	O.D.	H
1/2"	162	232	3"	6-7/8"	4"	3"	7-7/8"	6"	3"	8-7/8"	6"	3"	9-7/8"	6"
3/4"	203	290	3"	6-7/8"	4"	3"	7-7/8"	6"	3"	8-7/8"	6"	3"	9-7/8"	6"
1"	254	363	3"	6-7/8"	4"	3"	7-7/8"	6"	3"	8-7/8"	6"	3"	9-7/8"	6"
1-1/4"	321	459	3"	6-7/8"	4"	3"	7-7/8"	6"	3"	8-7/8"	6"	3"	9-7/8"	6"
1-1/2"	368	525	3"	7-7/8"	4"	3"	8-7/8"	6"	3"	9-7/8"	6"	3"	11"	6"
2"	459	656	4"	8-1/8"	4"	4"	9-1/8"	6"	4"	10-1/8"	6"	4"	11-1/4"	6"
2-1/2"	556	794	4"	9-1/8"	4"	4"	10-1/8"	6"	4"	11-1/4"	6"	4"	12-1/4"	6"
3"	677	967	4"	9-1/8"	4"	4"	10-1/8"	6"	4"	11-1/4"	6"	4"	12-1/4"	6"
3-1/2"	774	1105	4"	10-1/8"	4"	4"	11-1/4"	6"	4"	12-1/4"	6"	4"	13-1/4"	6"
4"	870	1243	4"	10-1/8"	4"	4"	11-1/4"	6"	4"	12-1/4"	6"	4"	13-1/4"	6"
5"	1076	1537	4"	11-1/4"	4"	4"	12-1/4"	6"	4"	12-1/4"	6"	4"	14-1/2"	6"
6"	1281	1831	6"	12-1/2"	4"	6"	13-1/2"	6"	6"	14-3/4"	6"	6"	15-3/4"	6"
8"	2502	3575	8-1/8"	14-3/4"	4"	8-5/8"	15-3/4"	6"	9-1/8"	16-3/4"	6"	9-5/8"	17-3/4"	6"
10"	3119	4456	9-1/8"	16-3/4"	6"	9-5/8"	17-3/4"	6"	10-1/8"	18-3/4"	6"	10-5/8"	19-3/4"	6"
12"	3699	5285	9-1/8"	16-3/4"	6"	10-5/8"	19-3/4"	6"	11-1/8"	20-3/4"	6"	11-5/8"	21-3/4"	6"
14"	4062	5803	11"	20"	6"	11-1/2"	21"	6"	12"	22"	6"	12-1/2"	23"	6"

Pipe size	L=12" Vertical Load(lbs)	L=18" Vertical Load(lbs)	Insulation Thickness								
			1"			1-1/2"			2"		
			W	O.D.	H	W	O.D.	H	W	O.D.	H
16"	7737	11053	10-1/2"	19"	4"	11"	20"	4"	11-1/2"	21"	4"
18"	8704	12434	11-1/2"	21"	4"	12"	22"	4"	12-1/2"	23"	4"
20"	9671	13816	12-1/2"	23"	4"	13"	24"	4"	13-1/2"	25"	4"
24"	11605	16579	14-1/2"	27"	4"	15"	28"	4"	15-1/2"	29"	4"
26"	12573	17961	16-1/4"	29-1/2"	4"	16-3/4"	30-1/2"	4"	17-1/4"	31-1/2"	4"
28"	13540	19342	17-1/4"	31-1/2"	4"	17-3/4"	32-1/2"	4"	18-1/4"	33-1/2"	4"
30"	14507	20724	18-1/4"	33-1/2"	4"	18-3/4"	34-1/2"	4"	19-1/4"	35-1/2"	4"
32"	15474	22106	19-1/4"	35-1/2"	4"	19-3/4"	36-1/2"	4"	20-1/4"	37-1/2"	4"
34"	16441	23487	20-1/4"	37-1/2"	4"	20-3/4"	38-1/2"	4"	21-1/4"	39-1/2"	4"
36"	17408	24869	21-1/4"	39-1/2"	4"	21-3/4"	40-1/2"	4"	22-1/4"	41-1/2"	4"
40"	19342	27632	23-1/4"	43-1/2"	4"	23-3/4"	44-1/2"	4"	24-1/4"	45-1/2"	4"
42"	20310	29014	24-1/4"	45-1/2"	4"	24-3/4"	46-1/2"	4"	25-1/4"	47-1/2"	4"

Pipe size	L=12" Vertical Load(lbs)	L=18" Vertical Load(lbs)	Insulation Thickness											
			2-1/2"			3"			3-1/2"			4"		
			W	O.D.	H	W	O.D.	H	W	O.D.	H	W	O.D.	H
16"	7737	11053	12"	22"	6"	12-1/2"	23"	6"	13"	24"	6"	13-1/2"	25"	6"
18"	8704	12434	13"	24"	6"	13-1/2"	25"	6"	14"	26"	6"	14-1/2"	27"	6"
20"	9671	13816	14"	26"	6"	14-1/2"	27"	6"	15"	28"	6"	15-1/2"	29"	6"
24"	11605	16579	16"	30"	6"	16-1/2"	31"	6"	17"	32"	6"	17-1/2"	33"	6"
26"	12573	17961	17-3/4"	32-1/2"	6"	18-1/4"	33-1/2"	6"	18-3/4"	34-1/2"	6"	19-1/4"	35-1/2"	6"
28"	13540	19342	18-3/4"	34-1/2"	6"	19-1/4"	35-1/2"	6"	19-3/4"	36-1/2"	6"	20-1/4"	37-1/2"	6"
30"	14507	20724	19-3/4"	36-1/2"	6"	20-1/4"	37-1/2"	6"	20-3/4"	38-1/2"	6"	21-1/4"	39-1/2"	6"
32"	15474	22106	20-3/4"	38-1/2"	6"	21-1/4"	39-1/2"	6"	21-3/4"	40-1/2"	6"	22-1/4"	41-1/2"	6"
34"	16441	23487	21-3/4"	40-1/2"	6"	22-1/4"	41-1/2"	6"	22-3/4"	42-1/2"	6"	23-1/4"	43-1/2"	6"
36"	17408	24869	22-3/4"	42-1/2"	6"	23-1/4"	43-1/2"	6"	23-3/4"	44-1/2"	6"	24-1/4"	45-1/2"	6"
40"	19342	27632	24-3/4"	46-1/2"	6"	25-1/4"	47-1/2"	6"	25-3/4"	48-1/2"	6"	26-1/4"	49-1/2"	6"
42"	20310	29014	25-3/4"	48-1/2"	6"	26-1/4"	49-1/2"	6"	26-3/4"	50-1/2"	6"	27-1/4"	51-1/2"	6"