

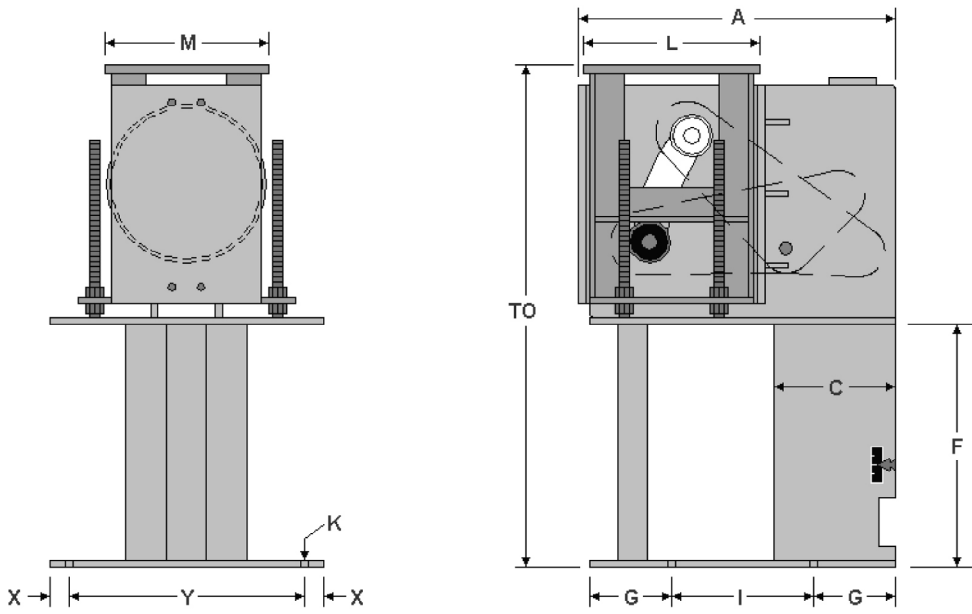


FIG. PTP 100-U

CONSTANT

ENGINEERED PIPE SUPPORTS

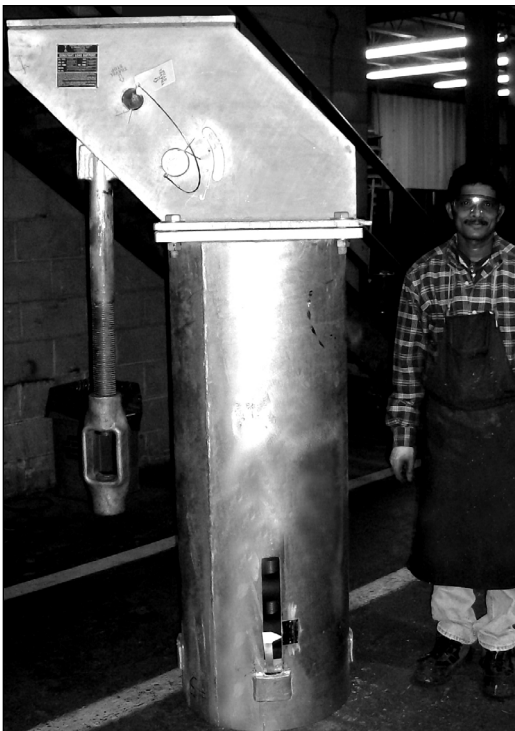
www.pipingtech.com/ptp100-u



* Drawing shown for up travel

Figure PTP 100-U is a vertical constant designed to support piping from below. The base plate is bolted directly to the top of the steel or floor as shown above. This constant supports vertical movement subjected by the total travel and no axial or lateral movement from its load flange unless a slide plate is added.

PLEASE VISIT WWW.PIPINGTECH.COM FOR DIMENSIONS



CUSTOM DESIGNED A-TYPE CONSTANT



80" U-TYPE CONSTANTS FOR A POWER PLANT OVERSEAS