

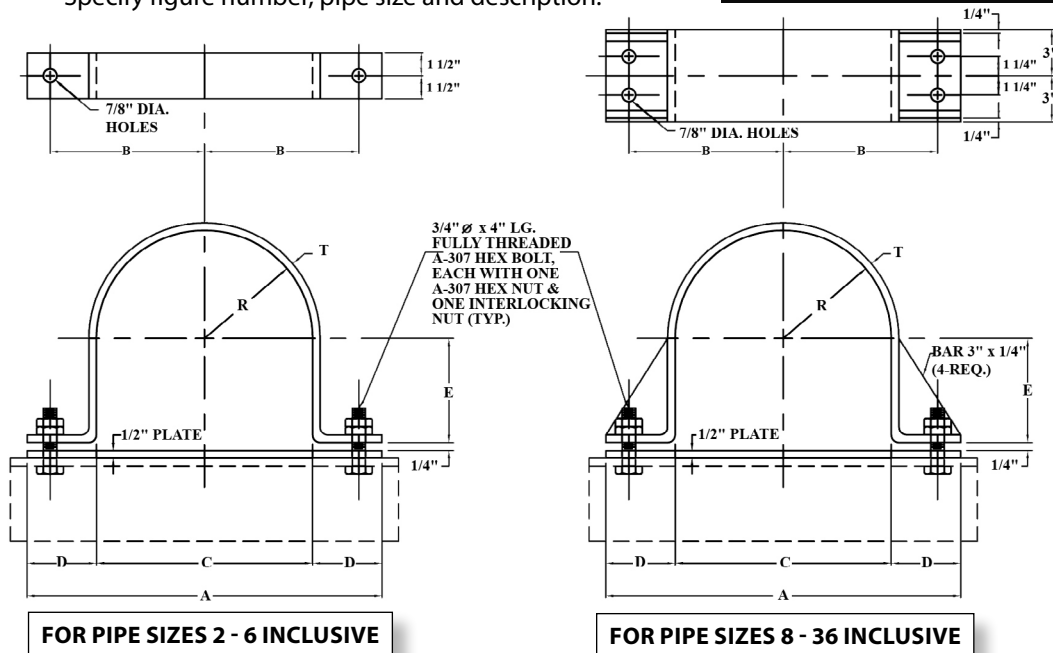
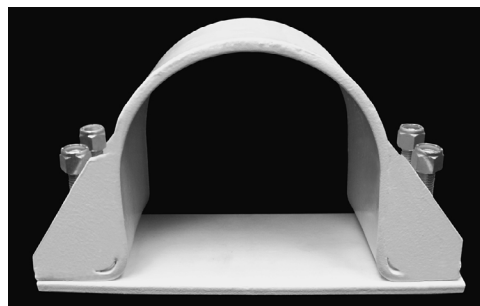


PTP HD-1

HOLD DOWN (ANCHOR TYPE)

www.pipingtech.com/ptp-hd1

- MATERIAL:** Carbon steel
- FINISH:** Black or galvanized.
- TEMP.:** 750 °F
- APPLICATION:** Fig. PTP HD-1 is an anchor type hold down. This hold down is generally used on pipe lines where little or no insulation is required.
- ORDERING:** Specify figure number, pipe size and description.



PIPE SIZE	A	B	C	D	E	R	T
2	9 3/8	3 3/16	2 3/8	3 1/2	15/16	1 3/16	1/4
3	10 1/2	3 3/4	3 1/2	3 1/2	1 1/2	1 3/4	3/8
4	11 1/2	4 1/4	4 1/2	3 1/2	2	2 1/4	3/8
6	13 5/8	5 5/16	6 5/8	3 1/2	3 1/16	3 5/16	3/8
8	16	6 1/2	8 5/8	3 11/16	4 1/16	4 5/16	3/8
10	19	8	10 3/4	4 1/8	5 1/8	5 3/8	3/8
12	21	9	12 3/4	4 1/8	6 1/8	6 3/8	1/2
14	23	10	14	4 1/2	6 3/4	7	1/2
16	25	11	16	4 1/2	7 3/4	8	1/2
18	27	12	18	4 1/2	8 3/4	9	1/2
20	29	13	20	4 1/2	9 3/4	10	1/2
24	33	15	24	4 1/2	11 3/4	12	1/2
30	39	18	30	4 1/2	14 3/4	15	1/2
36	45	21	36	4 1/2	17 3/4	18	1/2

SCOMPONENTS06.XLS-07/01/09