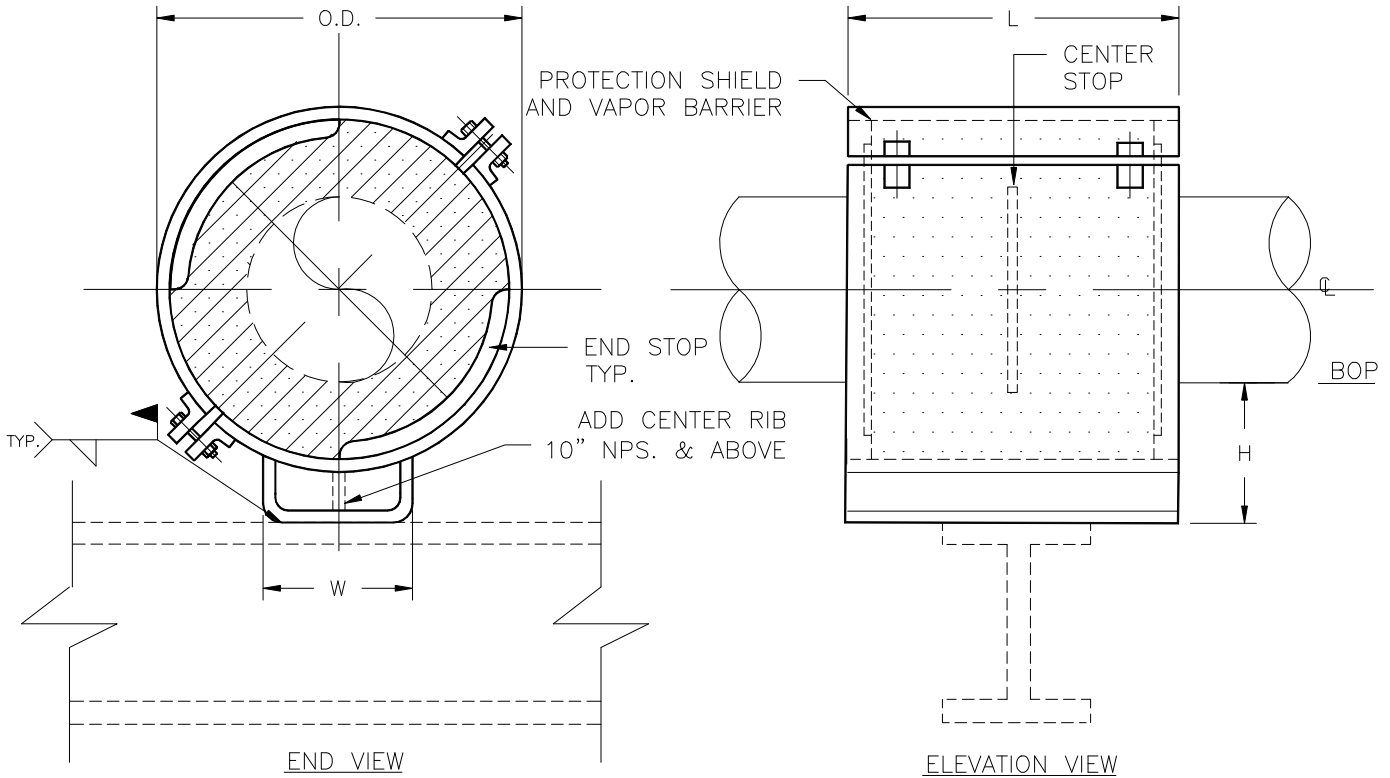


SPECIFICATIONS

INSULATION THK: _____
 SHOE LENGTH: _____
 LOADS: VERTICAL _____
 LATERAL _____
 AXIAL _____
 TEMPERATURE: _____



Design, PT&P 6/2/1999 11:47 AM HS-2020

NOTES

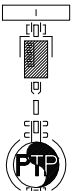
FIGURE#: HS-2020
 DESCRIPTION: ANCHOR TYPE SHOE, U-TYPE BASE, WELDED

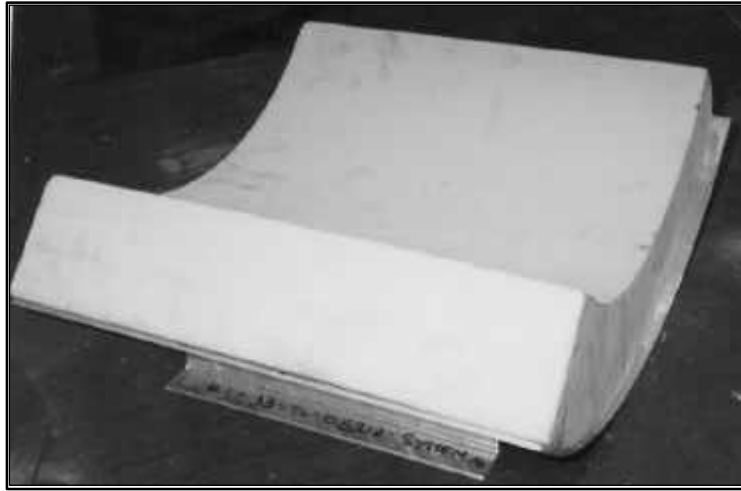
FUNCTION:	USE TO SUPPORT VERTICAL LOADS WHILE LIMITING AXIAL & LATERAL MOVEMENT BY WELDING TO EXISTING STEEL. MOVEMENT OF PIPE INSIDE THE HOTSHOE LIMITED BY CENTER STOP AND END STOPS. - -
PIPE SIZE:	8" TO 20" NPS.
MATERIAL:	GALVANIZED OR HDG CARBON STEEL
INSULATION:	HIGH DENSITY CALCIUM SILICATE -
TEMP. RANGE:	AMBIENT TO 1200°F
LAYERING SY.:	SEE LAYERING CHARTS
SHOE LTH,(L):	STANDARD SHOE AVAILABLE IN 12" & 18" LENGTHS
TO ORDER:	SPECIFY PIPE SIZE, INSULATION THK., LENGTH HENCE: (HS-2020)-NPS-THK.-L
LOADS:	ALL LOADS ON ADJACENT CHART HAVE A SAFETY FACTOR OF 5

CLIENT NAME: _____
 PROJECT NAME: _____
 REQUISITION#: _____
 P.O.#: _____
 DWG#: _____
 MARK#: _____
 PT&P JOB#: _____ ITEM#: _____
 DATE: _____

PIPING TECHNOLOGY & PRODUCTS, INC.

P.O. BOX 34506 HOUSTON TEXAS 77234
 3701 HOLMES RD. HOUSTON TEXAS 77051
 TELE#:(713)731-0030 FAX#:(713)731-8640
<http://www.pipingtech.com/> E-MAIL: info@pipingtech.com





Cradled Hotshoe with Angle Iron legs

Pipe size	Vertical Load(lbs)	Vertical Load(lbs)	Insulation Thickness															
			1"				1-1/2"				2"				2-1/2"			
			W	Axial load (lbs.)	O.D.	H	W	Axial load (lbs.)	O.D.	H	W	Axial load (lbs.)	O.D.	H	W	Axial load (lbs.)	O.D.	H
8"	4290	6435	6-1/2"	4536	11-1/2"	4"	7"	5419	12-1/2"	4"	7-1/2"	5890	13-1/2"	4"	8-1/8"	7693	14-3/4"	6"
10"	5347	8020	7-1/2"	6381	13-1/2"	4"	8-1/8"	7693	14-3/4"	4"	8-5/8"	8831	15-3/4"	4"	9-1/8"	10048	16-3/4"	6"
12"	6342	9512	8-1/2"	8831	13-15/16"	4"	9-1/8"	10048	16-3/4"	4"	9-5/8"	11343	17-3/4"	4"	10-1/8"	12717	18-3/4"	6"
14"	6963	10445	9-1/2"	10048	17"	4"	10"	11343	18"	4"	10-1/2"	12717	19"	4"	11"	14169	20"	6"
16"	7958	11937	10-1/2"	12717	19"	4"	11"	14169	20"	4"	11-1/2"	15700	21"	6"	12"	17309	22"	6"
18"	8953	13429	11-1/2"	15700	21"	4"	12"	17309	22"	4"	12-1/2"	18997	23"	6"	13"	20763	24"	6"
20"	9948	14921	12-1/2"	18997	23"	4"	13"	20763	24"	4"	13-1/2"	22608	25"	6"	14"	24531	26"	6"

Pipe size	Vertical Load(lbs)	Vertical Load(lbs)	Insulation Thickness											
			3"			3-1/2"			4"					
			W	Axial load (lbs.)	O.D.	H	W	Axial load (lbs.)	O.D.	H	W	Axial load (lbs.)	O.D.	H
8"	1668	3575	8-5/8"	8831	15-3/4"	6"	9-1/8"	10048	16-3/4"	6"	9-5/8"	11343	17-3/4"	6"
10"	3119	4456	9-5/8"	11343	17-3/4"	6"	10-1/8"	12717	18-3/4"	6"	10-5/8"	14169	19-3/4"	6"
12"	3699	5285	10-5/8"	14169	19-3/4"	6"	11-1/8"	15700	20-3/4"	6"	11-5/8"	17309	21-3/4"	6"
14"	4062	5803	11-1/2"	15700	21"	6"	12"	17309	22"	6"	12-1/2"	18997	23"	6"
16"	4642	11053	12-1/2"	18997	23"	6"	13"	20763	24"	6"	13-1/2"	22608	25"	8"
18"	8704	12434	13-1/2"	22608	25"	6"	14"	24531	26"	6"	14-1/2"	26533	27"	8"
20"	9671	13816	14-1/2"	26533	27"	6"	15"	28613	28"	6"	15-1/2"	30772	29"	8"