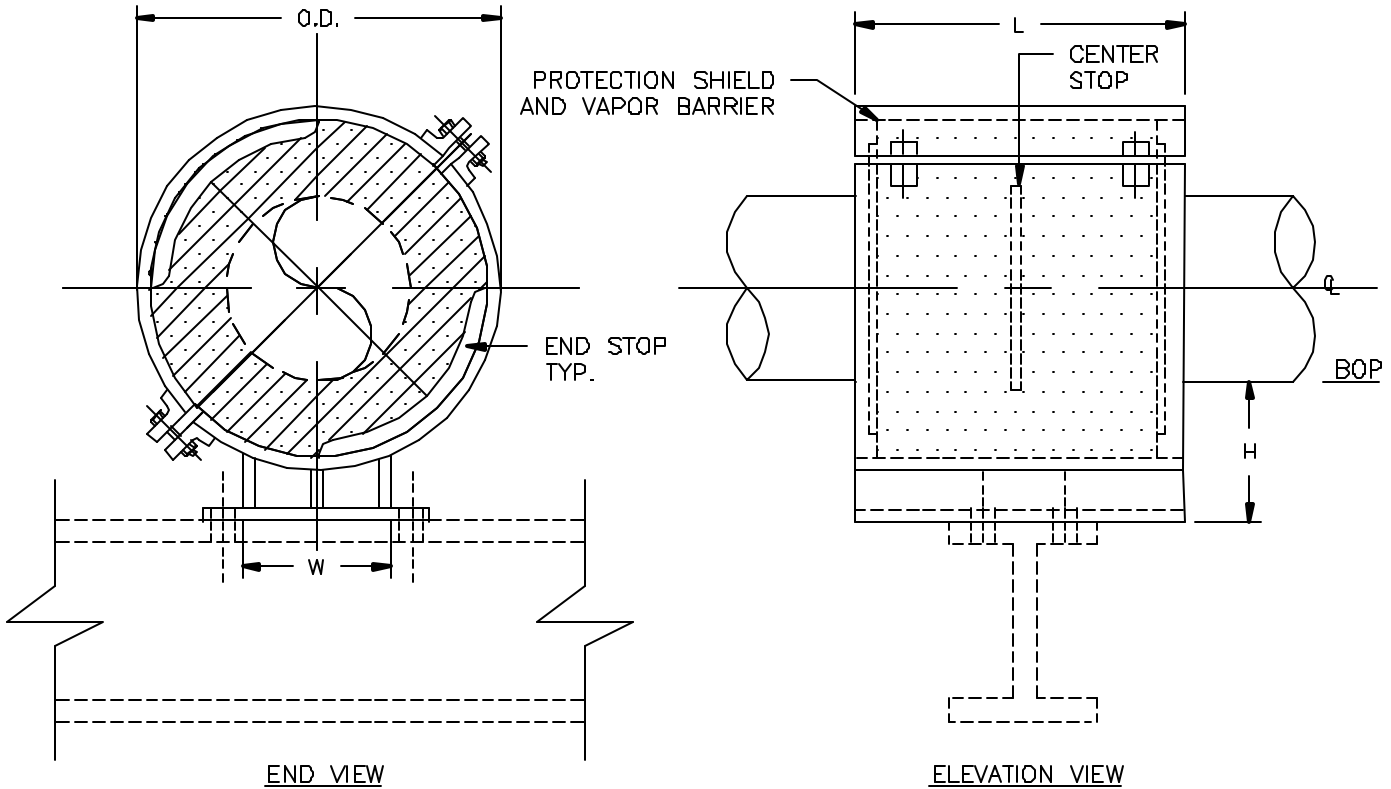


SPECIFICATIONS

INSULATION THK: _____
 SHOE LENGTH: _____
 LOADS: VERTICAL _____
 LATERAL _____
 AXIAL _____
 TEMPERATURE: _____



Design, PT&P 6/2/1999 11:29 AM HS-2032

NOTES

FIGURE#: HS-2032
 DESCRIPTION: ANCHOR TYPE SHOE, DOUBLE-T-BASE, BOLTED

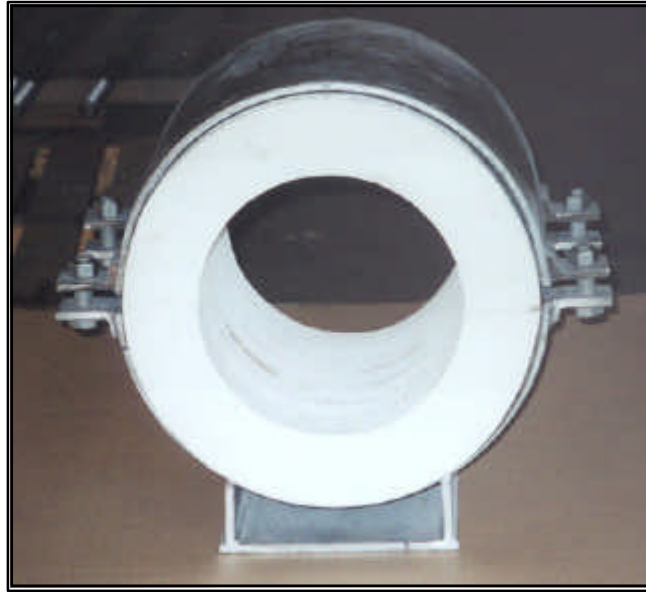
FUNCTION:	USE TO SUPPORT VERTICAL LOADS WHILE LIMITING AXIAL & LATERAL MOVEMENTS BY BOLTING SHOE IN PLACE MOVEMENT OF PIPE INSIDE THE HOTSHOE LIMITED BY CENTER STOP AND END STOPS. - -
PIPE SIZE:	24" TO 42" NPS.
MATERIAL:	GALVANIZED OR HDG CARBON STEEL
INSULATION:	HIGH DENSITY CALCIUM SILICATE -
TEMP RANGE:	AMBIENT TO 1200°F
LAYERING SY.:	SEE LAYERING CHARTS
SHOE LTH.(L):	STANDARD SHOE AVAILABLE IN 12" & 18" LENGTHS
TO ORDER:	SPECIFY PIPE SIZE, INSULATION THK., LENGTH HENCE: (HS-2032)-NPS-THK-L
LOADS:	ALL LOADS ON ADJACENT CHART HAVE A SAFETY FACTOR OF 5

CLIENT NAME: _____
 PROJECT NAME: _____
 REQUISITION#: _____
 P.O.#: _____
 DWG#: _____
 MARK#: _____
 PT&P JOB#: _____ ITEM#: _____
 DATE: _____

PIPING TECHNOLOGY & PRODUCTS, INC.

P.O. BOX 34506 HOUSTON TEXAS 77234
 3701 HOLMES RD. HOUSTON TEXAS 77051
 TELE#:(713)731-0030 FAX#:(713)731-8640
<http://www.pipingtech.com/> E-MAIL: info@pipingtech.com





Resting Hotshoes

Pipe size	Vertical Load(lbs)	Vertical Load(lbs)	Insulation Thickness															
			1"				1-1/2"				2"				2-1/2"			
			W	Axial load (lbs.)	O.D.	H	W	Axial load (lbs.)	O.D.	H	W	Axial load (lbs.)	O.D.	H	W	Axial load (lbs.)	O.D.	H
24"	11937	17906	14-1/2"	26533	27"	4"	15"	28613	28"	4"	15-1/2"	30772	29"	6"	16"	33009	30"	6"
26"	12932	19398	16-1/4"	30772	29-1/2"	4"	16-3/4"	33009	30-1/2"	6"	17-1/4"	35325	31-1/2"	6"	17-3/4"	37719	32-1/2"	6"
28"	13927	20890	17-1/4"	35325	31-1/2"	4"	17-3/4"	37719	32-1/2"	6"	18-1/4"	40192	33-1/2"	6"	18-3/4"	42743	34-1/2"	6"
30"	14921	22382	18-1/4"	40192	33-1/2"	4"	18-3/4"	42743	34-1/2"	6"	19-1/4"	45373	35-1/2"	6"	19-3/4"	48081	36-1/2"	6"
32"	15916	23874	19-1/4"	45373	35-1/2"	4"	19-3/4"	48081	36-1/2"	6"	20-1/4"	50868	37-1/2"	6"	20-3/4"	53733	38-1/2"	6"
34"	16911	25366	20-1/4"	50868	37-1/2"	4"	20-3/4"	53733	38-1/2"	6"	21-1/4"	56677	39-1/2"	6"	21-3/4"	59699	40-1/2"	6"
36"	17906	26858	21-1/4"	56677	39-1/2"	4"	21-3/4"	59699	40-1/2"	6"	22-1/4"	62800	41-1/2"	6"	22-3/4"	65979	42-1/2"	6"
40"	19895	29843	23-1/4"	69237	43-1/2"	4"	23-3/4"	72573	44-1/2"	6"	24-1/4"	75988	45-1/2"	6"	24-3/4"	79481	46-1/2"	6"
42"	20890	31335	24-1/4"	75988	45-1/2"	4"	24-3/4"	79481	46-1/2"	6"	25-1/4"	83053	47-1/2"	6"	25-3/4"	86703	48-1/2"	6"

Pipe size	Vertical Load(lbs)	Vertical Load(lbs)	Insulation Thickness											
			3"				3-1/2"				4"			
			W	Axial load (lbs.)	O.D.	H	W	Axial load (lbs.)	O.D.	H	W	Axial load (lbs.)	O.D.	H
24"	11937	17906	16-1/2"	35325	31"	6"	17"	37719	32"	6"	17-1/2"	40192	33"	8"
26"	12932	19398	18-1/4"	40192	33-1/2"	6"	18-3/4"	42743	34-1/2"	6"	19-1/4"	45373	35-1/2"	8"
28"	13927	20890	19-1/4"	45373	35-1/2"	6"	19-3/4"	48081	36-1/2"	6"	20-1/4"	50868	37-1/2"	8"
30"	14921	22382	20-1/4"	50868	37-1/2"	6"	20-3/4"	53733	38-1/2"	6"	21-1/4"	56677	39-1/2"	8"
32"	15916	23874	21-1/4"	56677	39-1/2"	6"	21-3/4"	59699	40-1/2"	6"	22-1/4"	62800	41-1/2"	8"
34"	16911	25366	22-1/4"	62800	41-1/2"	6"	22-3/4"	65979	42-1/2"	6"	23-1/4"	69237	43-1/2"	8"
36"	17906	26858	23-1/4"	69237	43-1/2"	6"	23-3/4"	72573	44-1/2"	6"	24-1/4"	75988	45-1/2"	8"
40"	19895	29843	25-1/4"	83053	47-1/2"	6"	25-3/4"	86703	48-1/2"	6"	26-1/4"	90432	49-1/2"	8"
42"	20890	31335	26-1/4"	90432	49-1/2"	6"	26-3/4"	94239	50-1/2"	6"	27-1/4"	98125	51-1/2"	8"