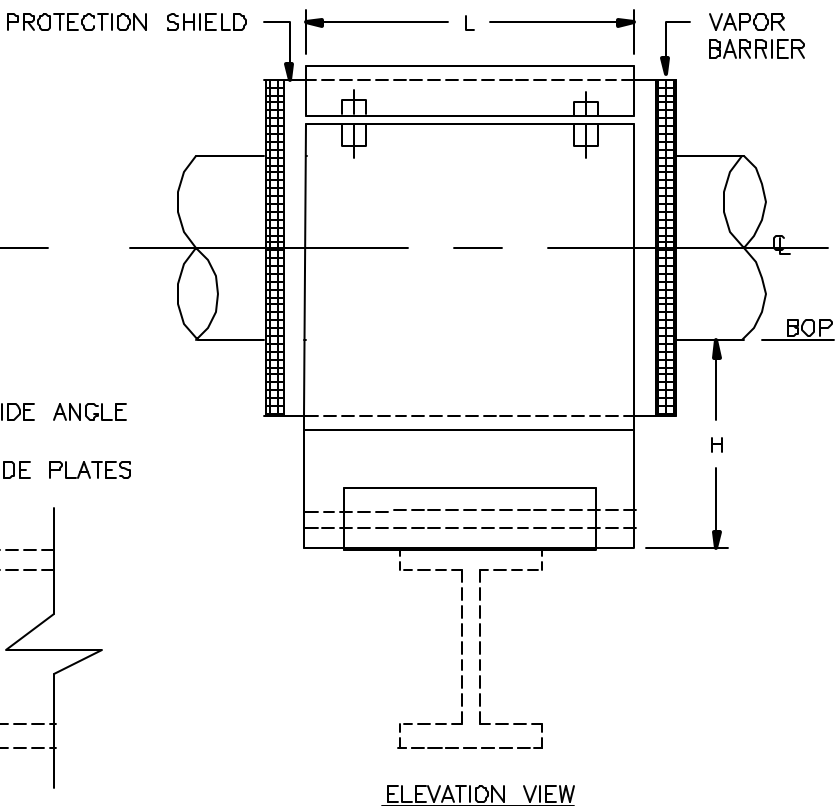
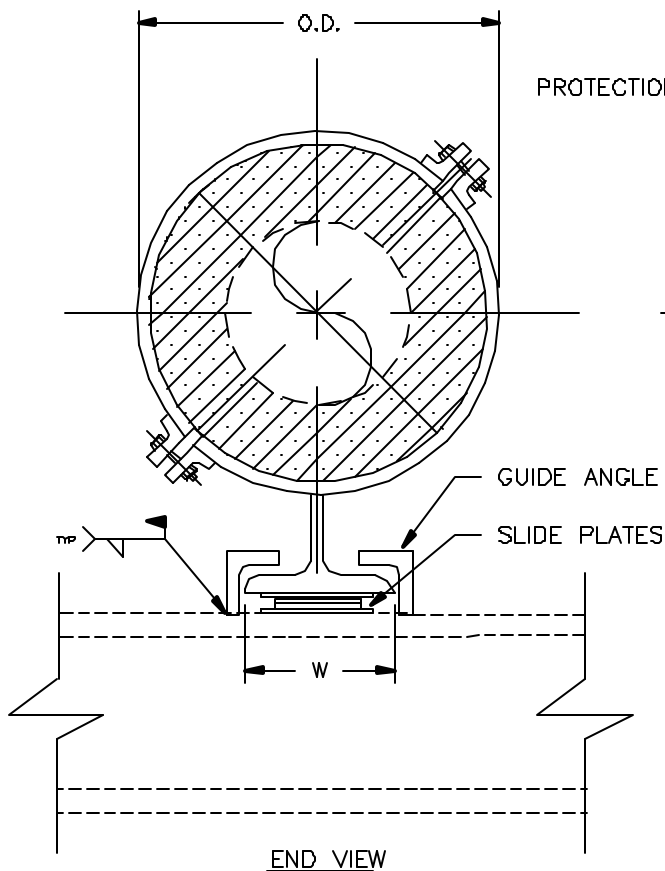


## SPECIFICATIONS

INSULATION THK: \_\_\_\_\_  
 SHOE LENGTH: \_\_\_\_\_  
 LOADS: VERTICAL \_\_\_\_\_  
           LATERAL \_\_\_\_\_  
           AXIAL \_\_\_\_\_  
 MOVEMENT: LATER. \_\_\_\_\_  
               AXIAL \_\_\_\_\_  
 TEMPERATURE: \_\_\_\_\_



Design: PT&P 6/2/1999 10:37 AM HS-3011

## NOTES

FUNCTION:	USE TO SUPPORT VERTICAL LOADS LATERAL MOVEMENT LIMITED BY GUIDES. CLAMPING FORCE LIMITS MOVEMENT OF PIPE INSIDE THE HOTSHOE. SHOE ALLOWED TO SLIDE IN THE AXIAL DIRECTION.
PIPE SIZE:	1/2" TO 6" NPS.
MATERIAL:	GALVANIZED OR HDG CARBON STEEL
INSULATION:	HIGH DENSITY CALCIUM SILICATE
TEMP. RANGE:	AMBIENT TO 1200°F
LAYERING SY.:	SEE LAYERING CHARTS
SHOE LTH.(L):	STANDARD SHOE AVAILABLE IN 12" & 18" LENGTHS
TO ORDER:	SPECIFY PIPE SIZE, INSULATION THK., LENGTH HENCE: (HS-3011)-NPS-THK.-L
LOADS:	ALL LOADS ON ADJACENT CHART HAVE A SAFETY FACTOR OF 5

FIGURE#: HS-3011  
 DESCRIPTION: SLIDING SHOES, SPLIT-T BASE, GUIDED, WITHOUT THRUST PLATES

CLIENT NAME: \_\_\_\_\_  
 PROJECT NAME: \_\_\_\_\_  
 REQUISITION#: \_\_\_\_\_  
 P O #: \_\_\_\_\_  
 DWG#: \_\_\_\_\_  
 MARK#: \_\_\_\_\_  
 PT&P JOB#: \_\_\_\_\_ ITEM#: \_\_\_\_\_  
 DATE: \_\_\_\_\_

## PIPING TECHNOLOGY & PRODUCTS, INC.

P.O. BOX 34506                      HOUSTON TEXAS 77234  
 3701 HOLMES RD.                    HOUSTON TEXAS 77051  
 TELE#:(713)731-0030                FAX#:(713)731-8640  
<http://www.pipingtech.com/>        E-MAIL: info@pipingtech.com





Hot Insulated Supports with Teflon Slide Plates

Pipe size	Vertical Load (lbs)	Vertical Load (lbs)	Insulation Thickness											
			1"			1-1/2"			2"			2-1/2"		
			W	O.D.	H	W	O.D.	H	W	O.D.	H	W	O.D.	H
1/2"	70	139	3"	3-1/8"	4"	4"	4-1/4"	4"	4"	5-1/4"	4"	4"	6-7/8"	4"
3/4"	87	174	3"	3-1/8"	4"	4"	4-1/4"	4"	4"	5-1/4"	4"	4"	6-7/8"	4"
1"	109	218	4"	3-3/4"	4"	4"	4-3/4"	4"	4"	5-13/16"	4"	4"	6-7/8"	4"
1-1/4"	138	275	4"	3-3/4"	4"	5"	5-1/4"	4"	4"	5-13/16"	4"	4"	6-7/8"	4"
1-1/2"	158	315	4"	4-1/4"	4"	4"	5-1/4"	4"	4"	6-7/8"	4"	4"	7-7/8"	4"
2"	197	394	4"	5"	4"	4"	6-1/16"	4"	4"	7-1/4"	4"	4"	8-1/8"	4"
2-1/2"	238	477	4"	5-1/2"	4"	4"	7-1/8"	4"	4"	8-1/8"	4"	4"	9-1/8"	4"
3"	290	580	4"	6-1/16"	4"	4"	7-1/8"	4"	4"	8-1/8"	4"	4"	9-1/8"	4"
3-1/2"	332	663	4"	7-1/8"	4"	4"	8-1/8"	4"	4"	9-1/8"	4"	4"	10-1/8"	4"
4"	373	746	4"	7-1/8"	4"	4"	8-1/8"	4"	4"	9-1/8"	4"	4"	10-1/8"	4"
5"	461	922	4"	8-1/8"	4"	4"	9-1/8"	4"	4"	10-1/8"	4"	4"	11-1/4"	4"
6"	549	1098	4"	9-15/16"	4"	4"	10-3/8"	4"	4"	11-1/2"	4"	4"	12-1/2"	4"

Pipe size	Vertical Load (lbs)	Vertical Load (lbs)	Insulation Thickness								
			3"			3-1/2"			4"		
			W	O.D.	H	W	O.D.	H	W	O.D.	H
1/2"	70	139	4"	7-7/8"	6"	4"	8-7/8"	6"	4"	9-7/8"	6"
3/4"	87	174	4"	7-7/8"	6"	4"	8-7/8"	6"	4"	9-7/8"	6"
1"	109	218	4"	7-7/8"	6"	4"	8-7/8"	6"	4"	9-7/8"	6"
1-1/4"	138	275	4"	7-7/8"	6"	4"	8-7/8"	6"	4"	9-7/8"	6"
1-1/2"	158	315	4"	8-7/8"	6"	4"	9-7/8"	6"	4"	11"	6"
2"	197	394	4"	9-1/8"	6"	4"	10-1/8"	6"	4"	11-1/4"	6"
2-1/2"	238	477	4"	10-1/8"	6"	4"	11-1/4"	6"	4"	12-1/4"	6"
3"	290	580	4"	10-1/8"	6"	4"	11-1/4"	6"	4"	12-1/4"	6"
3-1/2"	332	663	4"	11-1/4"	6"	4"	12-1/4"	6"	4"	13-1/4"	6"
4"	373	746	4"	11-1/4"	6"	4"	12-1/4"	6"	4"	13-1/4"	6"
5"	461	922	4"	12-1/4"	6"	4"	13-1/4"	6"	4"	14-1/2"	6"
6"	549	1098	4"	13-1/2"	6"	4"	14-3/4"	6"	4"	15-3/4"	6"