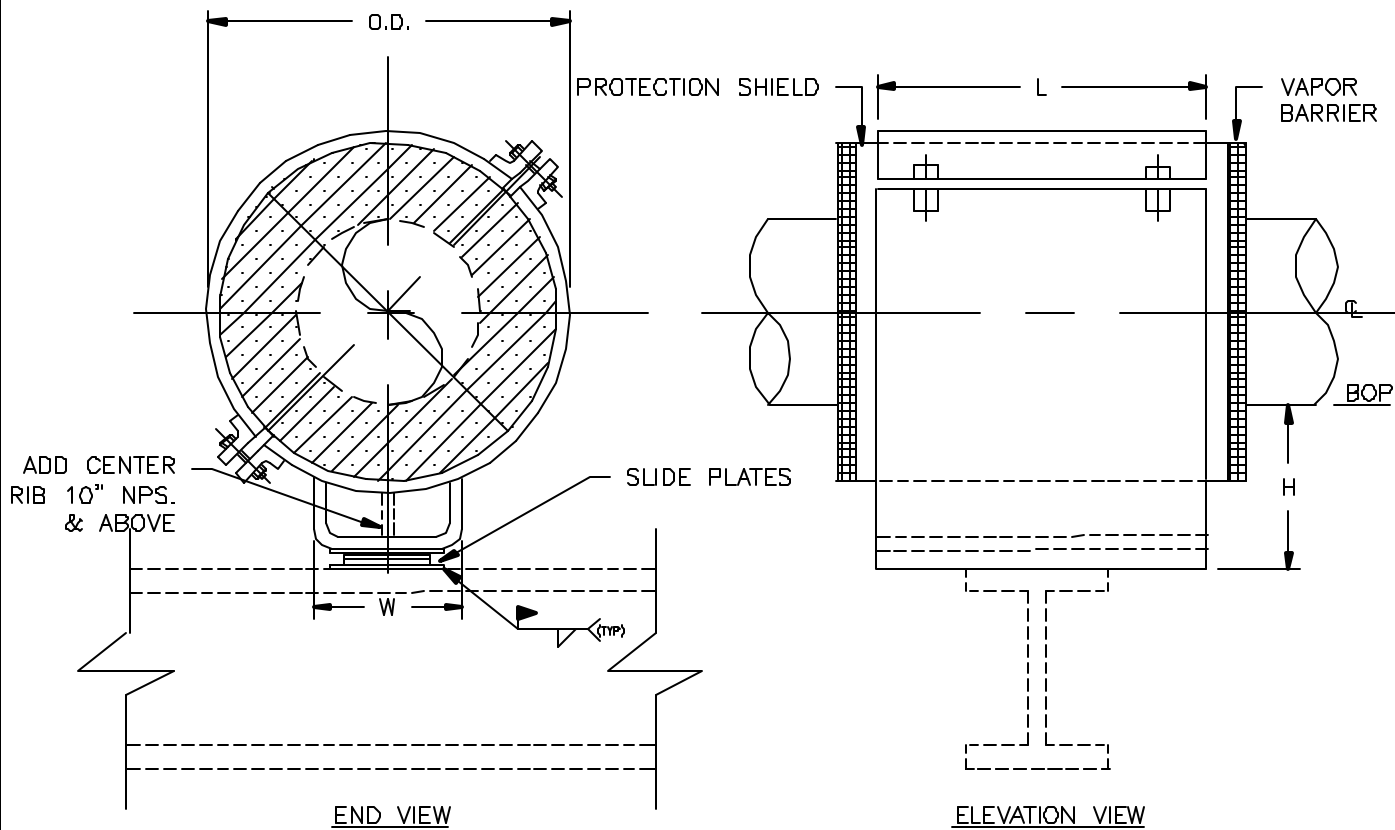


### SPECIFICATIONS

INSULATION THK: \_\_\_\_\_  
 SHOE LENGTH: \_\_\_\_\_  
 LOADS: VERTICAL \_\_\_\_\_  
           LATERAL \_\_\_\_\_  
           AXIAL \_\_\_\_\_  
 MOVEMENT: LATER. \_\_\_\_\_  
               AXIAL \_\_\_\_\_  
 TEMPERATURE: \_\_\_\_\_



Design: PT&P 6/2/1999 12:05 PM HS-3023

## NOTES

		FIGURE#: HS-3023 DESCRIPTION: SLIDING SHOES, U-TYPE BASE, UNGUIDED, WITHOUT THRUST PLATES
FUNCTION: USE TO SUPPORT VERTICAL LOADS WHILE ALLOWING AXIAL AND LATERAL MOVEMENT. CLAMPING FORCE LIMITS MOVEMENT OF PIPE INSIDE THE HOTSHOE. - - -	CLIENT NAME: _____ PROJECT NAME: _____ REQUISITION#: _____ P O #: _____ DWG#: _____ MARK#: _____ PT&P JOB#: _____ ITEM#: _____ DATE: _____	
PIPE SIZE: 8" TO 20" NPS.		
MATERIAL: GALVANIZED OR HDG CARBON STEEL		
INSULATION: HIGH DENSITY CALCIUM SILICATE		
TEMP. RANGE: AMBIENT TO 1200°F		
LAYERING SY.: SEE LAYERING CHARTS		
SHOE LTH.(L): STANDARD SHOE AVAILABLE IN 12" & 18" LENGTHS		
TO ORDER: SPECIFY PIPE SIZE, INSULATION THK., LENGTH HENCE: (HS-3023)-NPS-THK.-L		
LOADS: ALL LOADS ON ADJACENT CHART HAVE A SAFETY FACTOR OF 5		

## PIPING TECHNOLOGY & PRODUCTS, INC.

P.O. BOX 34506                      HOUSTON TEXAS 77234  
 3701 HOLMES RD.                    HOUSTON TEXAS 77051  
 TELE#:(713)731-0030                FAX#:(713)731-8640  
 http://www.pipingtech.com/      E-MAIL: info@pipingtech.com





Hotshoe composed of Calcium Silicate

Pipe size	Vertical Load(lbs)	Vertical Load(lbs)	Insulation Thickness											
			1"			1-1/2"			2"			2-1/2"		
			W	O.D.	H	W	O.D.	H	W	O.D.	H	W	O.D.	H
8"	715	1430	6-1/2"	11-1/2"	4"	7"	12-1/2"	4"	7-1/2"	13-1/2"	4"	8-1/8"	14-3/4"	6"
10"	1782	1782	7-1/2"	13-1/2"	4"	8-1/8"	14-3/4"	4"	8-5/8"	15-3/4"	4"	9-1/8"	16-3/4"	6"
12"	2114	2114	8-1/2"	13-15/16"	4"	9-1/8"	16-3/4"	4"	9-5/8"	17-3/4"	4"	10-1/8"	18-3/4"	6"
14"	2321	2321	9-1/2"	17"	4"	10"	18"	4"	10-1/2"	19"	4"	11"	20"	6"
16"	2653	2653	10-1/2"	19"	4"	11"	20"	4"	11-1/2"	21"	6"	12"	22"	6"
18"	2984	2984	11-1/2"	21"	4"	12"	22"	4"	12-1/2"	23"	6"	13"	24"	6"
20"	3316	3316	12-1/2"	23"	4"	13"	24"	4"	13-1/2"	25"	6"	14"	26"	6"

Pipe size	Vertical Load(lbs)	Vertical Load(lbs)	Insulation Thickness								
			3"			3-1/2"			4"		
			W	O.D.	H	W	O.D.	H	W	O.D.	H
8"	715	1430	8-5/8"	15-3/4"	6"	9-1/8"	16-3/4"	6"	9-5/8"	17-3/4"	6"
10"	1782	1782	9-5/8"	17-3/4"	6"	10-1/8"	18-3/4"	6"	10-5/8"	19-3/4"	6"
12"	2114	2114	10-5/8"	19-3/4"	6"	11-1/8"	20-3/4"	6"	11-5/8"	21-3/4"	6"
14"	2321	2321	11-1/2"	21"	6"	12"	22"	6"	12-1/2"	23"	6"
16"	2653	2653	12-1/2"	23"	6"	13"	24"	6"	13-1/2"	25"	8"
18"	2984	2984	13-1/2"	25"	6"	14"	26"	6"	14-1/2"	27"	8"
20"	3316	3316	14-1/2"	27"	6"	15"	28"	6"	15-1/2"	29"	8"