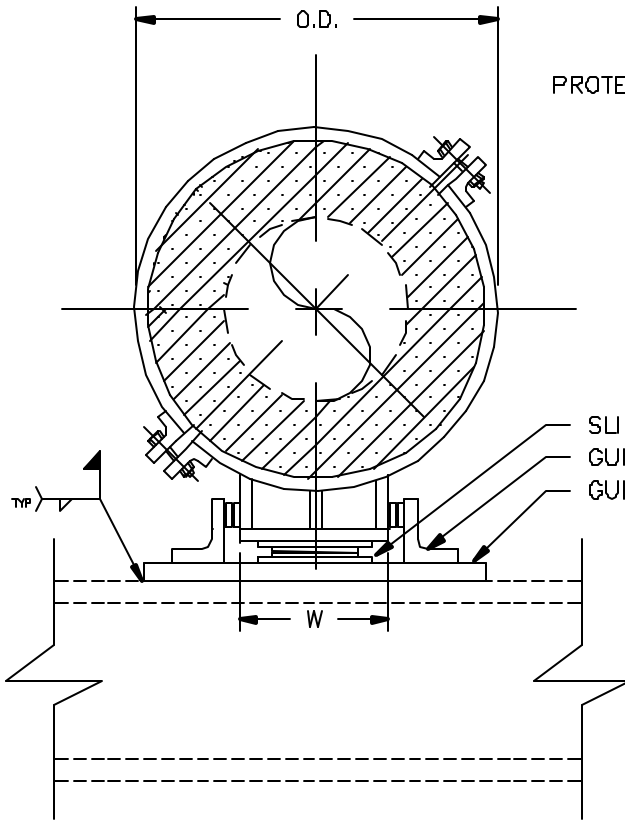
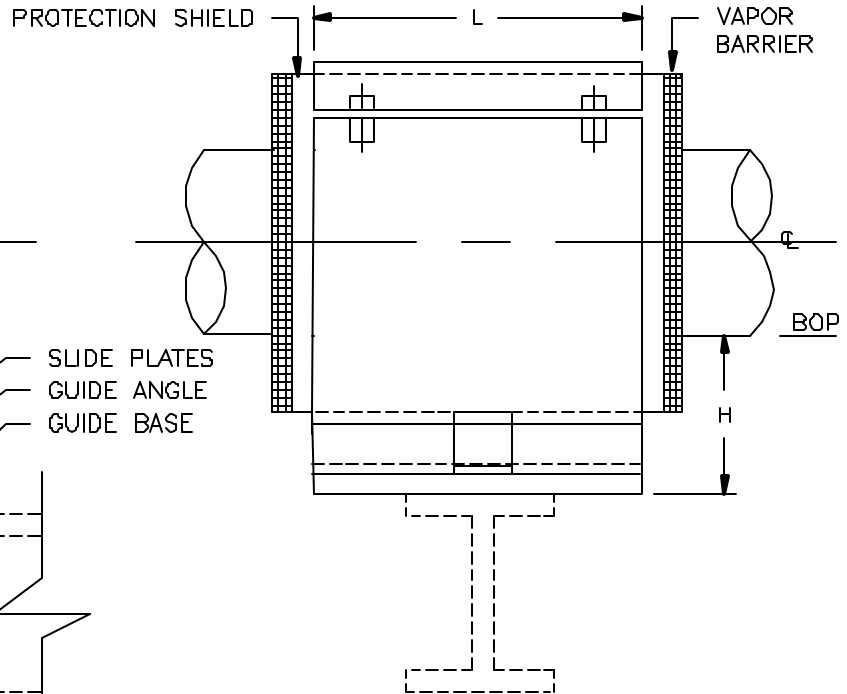


## SPECIFICATIONS

INSULATION THK: \_\_\_\_\_  
 SHOE LENGTH: \_\_\_\_\_  
 LOADS: VERTICAL \_\_\_\_\_  
           LATERAL \_\_\_\_\_  
           AXIAL \_\_\_\_\_  
 MOVEMENT: LATER. \_\_\_\_\_  
               AXIAL \_\_\_\_\_  
 TEMPERATURE: \_\_\_\_\_



END VIEW



ELEVATION VIEW

Design. PT&P 6/2/1999 104 PM HS-3031

## NOTES

FIGURE#: HS-3031  
 DESCRIPTION: SLIDING SHOES, DOUBLE-T-BASE, GUIDED, WITHOUT THRUST PLATES

FUNCTION:	USE TO SUPPORT VERTICAL LOADS LATERAL MOVEMENT LIMITED BY GUIDES. CLAMPING FORCE LIMITS MOVEMENT OF PIPE INSIDE THE HOTSHOE. SHOE ALLOWED TO SLIDE IN THE AXIAL DIRECTION.
PIPE SIZE:	24" TO 42" NPS.
MATERIAL:	GALVANIZED OR HDG CARBON STEEL
INSULATION:	HIGH DENSITY CALCIUM SILICATE
TEMP. RANGE:	AMBIENT TO 1200°F
LAYERING SY.:	SEE LAYERING CHARTS
SHOE LTH.(L):	STANDARD SHOE AVAILABLE IN 12" & 18" LENGTHS
TO ORDER:	SPECIFY PIPE SIZE, INSULATION THK., LENGTH HENCE: (HS-3031)-NPS-THK.-L
LOADS:	ALL LOADS ON ADJACENT CHART HAVE A SAFETY FACTOR OF 5

CLIENT NAME: \_\_\_\_\_  
 PROJECT NAME: \_\_\_\_\_  
 REQUISITION#: \_\_\_\_\_  
 P O.#: \_\_\_\_\_  
 DWG#: \_\_\_\_\_  
 MARK#: \_\_\_\_\_  
 PT&P JOB# \_\_\_\_\_ ITEM# \_\_\_\_\_  
 DATE: \_\_\_\_\_

## PIPING TECHNOLOGY & PRODUCTS, INC.

P.O. BOX 34506 HOUSTON TEXAS 77234  
 3701 HOLMES RD. HOUSTON TEXAS 77051  
 TELE#:(713)731-0030 FAX#:(713)731-8640  
<http://www.pipingtech.com/> E-MAIL: info@pipingtech.com





Shielded Hotshoes for a large BOP

Pipe size	Vertical Load(lbs)	Vertical Load(lbs)	Insulation Thickness											
			1"			1-1/2"			2"			2-1/2"		
			W	O.D.	H	W	O.D.	H	W	O.D.	H	W	O.D.	H
24"	11605	16579	14-1/2"	27"	4"	15"	28"	4"	15-1/2"	29"	6"	16"	30"	6"
26"	12573	17961	16-1/4"	29-1/2"	4"	16-3/4"	30-1/2"	6"	17-1/4"	31-1/2"	6"	17-3/4"	32-1/2"	6"
28"	13540	19342	17-1/4"	31-1/2"	4"	17-3/4"	32-1/2"	6"	18-1/4"	33-1/2"	6"	18-3/4"	34-1/2"	6"
30"	14507	20724	18-1/4"	33-1/2"	4"	18-3/4"	34-1/2"	6"	19-1/4"	35-1/2"	6"	19-3/4"	36-1/2"	6"
32"	15474	22106	19-1/4"	35-1/2"	4"	19-3/4"	36-1/2"	6"	20-1/4"	37-1/2"	6"	20-3/4"	38-1/2"	6"
34"	16441	23487	20-1/4"	37-1/2"	4"	20-3/4"	38-1/2"	6"	21-1/4"	39-1/2"	6"	21-3/4"	40-1/2"	6"
36"	17408	24869	21-1/4"	39-1/2"	4"	21-3/4"	40-1/2"	6"	22-1/4"	41-1/2"	6"	22-3/4"	42-1/2"	6"
40"	19342	27632	23-1/4"	43-1/2"	4"	23-3/4"	44-1/2"	6"	24-1/4"	45-1/2"	6"	24-3/4"	46-1/2"	6"
42"	20310	29014	24-1/4"	45-1/2"	4"	24-3/4"	46-1/2"	6"	25-1/4"	47-1/2"	6"	25-3/4"	48-1/2"	6"

Pipe size	Vertical Load(lbs)	Vertical Load(lbs)	Insulation Thickness								
			3"			3-1/2"			4"		
			W	O.D.	H	W	O.D.	H	W	O.D.	H
24"	11605	16579	16-1/2"	31"	6"	17"	32"	6"	17-1/2"	33"	8"
26"	12573	17961	18-1/4"	33-1/2"	6"	18-3/4"	34-1/2"	6"	19-1/4"	35-1/2"	8"
28"	13540	19342	19-1/4"	35-1/2"	6"	19-3/4"	36-1/2"	6"	20-1/4"	37-1/2"	8"
30"	14507	20724	20-1/4"	37-1/2"	6"	20-3/4"	38-1/2"	6"	21-1/4"	39-1/2"	8"
32"	15474	22106	21-1/4"	39-1/2"	6"	21-3/4"	40-1/2"	6"	22-1/4"	41-1/2"	8"
34"	16441	23487	22-1/4"	41-1/2"	6"	22-3/4"	42-1/2"	6"	23-1/4"	43-1/2"	8"
36"	17408	24869	23-1/4"	43-1/2"	6"	23-3/4"	44-1/2"	6"	24-1/4"	45-1/2"	8"
40"	19342	27632	25-1/4"	47-1/2"	6"	25-3/4"	48-1/2"	6"	26-1/4"	49-1/2"	8"
42"	20310	29014	26-1/4"	49-1/2"	6"	26-3/4"	50-1/2"	6"	27-1/4"	51-1/2"	8"