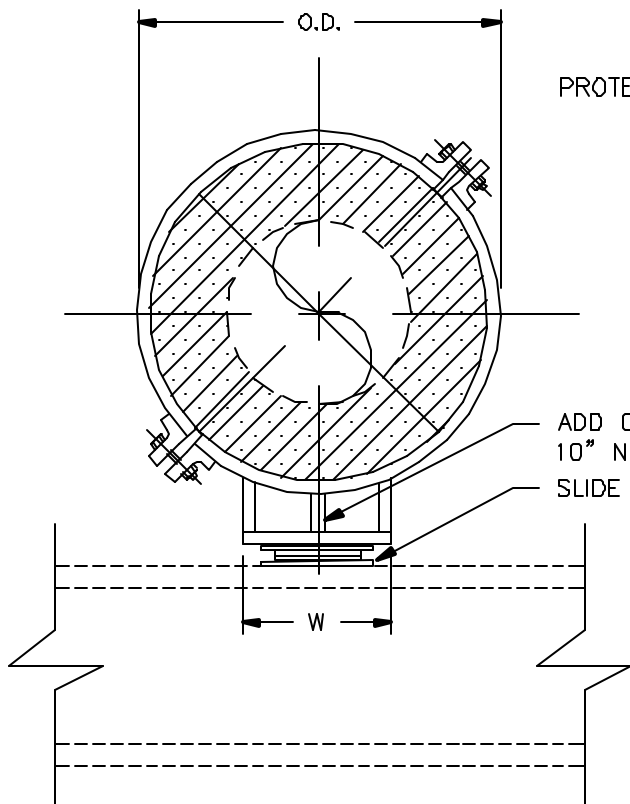
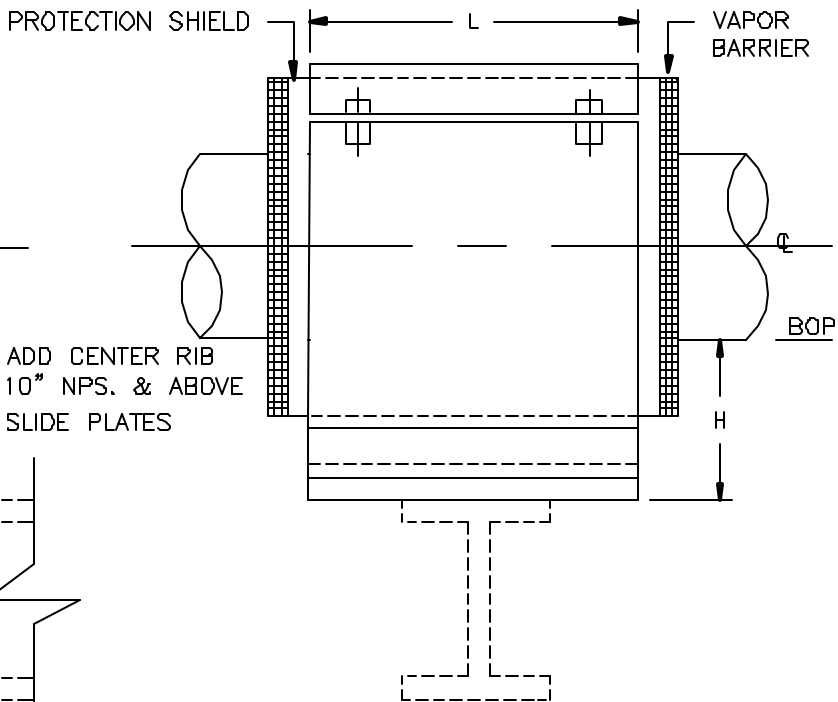


SPECIFICATIONS

INSULATION THK: _____
 SHOE LENGTH: _____
 LOADS: VERTICAL _____
 LATERAL _____
 AXIAL _____
 MOVEMENT: LATER. _____
 AXIAL _____
 TEMPERATURE: _____



END VIEW



ELEVATION VIEW

Design: PT&P 6/2/1999 1:08 PM HS-3033

NOTES

FIGURE#: HS-3033
 DESCRIPTION: SLIDING SHOES, DOUBLE-T-BASE, UNGUIDED, WITHOUT THRUST PLATES

FUNCTION:	USE TO SUPPORT VERTICAL LOADS WHILE ALLOWING AXIAL AND LATERAL MOVEMENT. CLAMPING FORCE LIMITS MOVEMENT OF PIPE INSIDE THE HOTSHOE. - - -
PIPE SIZE:	24" TO 42" NPS.
MATERIAL:	GALVANIZED OR HDG CARBON STEEL
INSULATION:	HIGH DENSITY CALCIUM SILICATE -
TEMP. RANGE:	AMBIENT TO 1200°F
LAYERING SY.:	SEE LAYERING CHARTS
SHOE LTH.(L):	STANDARD SHOE AVAILABLE IN 12" & 18" LENGTHS
TO ORDER:	SPECIFY PIPE SIZE, INSULATION THK., LENGTH HENCE: (HS-3033)-NPS-THK.-L
LOADS:	ALL LOADS ON ADJACENT CHART HAVE A SAFETY FACTOR OF 5

CLIENT NAME: _____
 PROJECT NAME: _____
 REQUISITION#: _____
 P O #: _____
 DWG#: _____
 MARK#: _____
 PT&P JOB#: _____ ITEM#: _____
 DATE: _____

PIPING TECHNOLOGY & PRODUCTS, INC.

P.O. BOX 34506 HOUSTON TEXAS 77234
 3701 HOLMES RD. HOUSTON TEXAS 77051
 TELE#:(713)731-0030 FAX#:(713)731-8640
 http://www.pipingtech.com/ E-MAIL: info@pipingtech.com





Large Diameter Anchors ready for shipment

Pipe size	L=12" Vertical Load(lbs)	L=18" Vertical Load(lbs)	Insulation Thickness											
			1"			1-1/2"			2"			2-1/2"		
			W	O.D.	H	W	O.D.	H	W	O.D.	H	W	O.D.	H
24"	11605	16579	14 1/2"	27"	4"	15"	28"	4"	15 1/2"	29"	6"	16'	30"	6"
26"	12573	17961	16 1/4"	29-1/2"	4"	16 3/4"	30-1/2"	6"	17 1/4"	31-1/2"	6"	17 3/4"	32-1/2"	6"
28"	13540	19342	17 1/4"	31-1/2"	4"	17 3/4"	32-1/2"	6"	18 1/4"	33-1/2"	6"	18 3/4"	34-1/2"	6"
30"	14507	20724	18 1/4"	33-1/2"	4"	18 3/4"	34-1/2"	6"	19 1/4"	35-1/2"	6"	19 3/4"	36-1/2"	6"
32"	15474	22106	19 1/4"	35-1/2"	4"	19 3/4"	36-1/2"	6"	20 1/4"	37-1/2"	6"	20 3/4"	38-1/2"	6"
34"	16441	23487	20 1/4"	37-1/2"	4"	20 3/4"	38-1/2"	6"	21 1/4"	39-1/2"	6"	21 3/4"	40-1/2"	6"
36"	17408	24869	21 1/4"	39-1/2"	4"	21 3/4"	40-1/2"	6"	22 1/4"	41-1/2"	6"	22 3/4"	42-1/2"	6"
40"	19342	27632	23 1/4"	43-1/2"	4"	23 3/4"	44-1/2"	6"	24 1/4"	45-1/2"	6"	24 3/4"	46-1/2"	6"
42"	20310	29014	24 1/4"	45-1/2"	4"	24 3/4"	46-1/2"	6"	25 1/4"	47-1/2"	6"	25 3/4"	48-1/2"	6"

Pipe size	L=12" Vertical Load(lbs)	L=18" Vertical Load(lbs)	Insulation Thickness								
			3"			3-1/2"			4"		
			W	O.D.	H	W	O.D.	H	W	O.D.	H
24"	11605	16579	16 1/2"	31"	6"	17"	32"	6"	17 1/2"	33"	8"
26"	12573	17961	18 1/4"	33-1/2"	6"	18 3/4"	34-1/2"	6"	19 1/4"	35-1/2"	8"
28"	13540	19342	19 1/4"	35-1/2"	6"	19 3/4"	36-1/2"	6"	20 1/4"	37-1/2"	8"
30"	14507	20724	20 1/4"	37-1/2"	6"	20 3/4"	38-1/2"	6"	21 1/4"	39-1/2"	8"
32"	15474	22106	21 1/4"	39-1/2"	6"	21 3/4"	40-1/2"	6"	22 1/4"	41-1/2"	8"
34"	16441	23487	22 1/4"	41-1/2"	6"	22 3/4"	42-1/2"	6"	23 1/4"	43-1/2"	8"
36"	17408	24869	23 1/4"	43-1/2"	6"	23 3/4"	44-1/2"	6"	24 1/4"	45-1/2"	8"
40"	19342	27632	25 1/4"	47-1/2"	6"	25 3/4"	48-1/2"	6"	26 1/4"	49-1/2"	8"
42"	20310	29014	26 1/4"	49-1/2"	6"	26 3/4"	50-1/2"	6"	27 1/4"	51-1/2"	8"