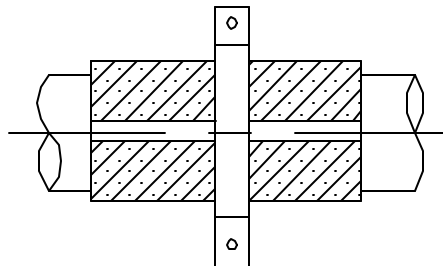
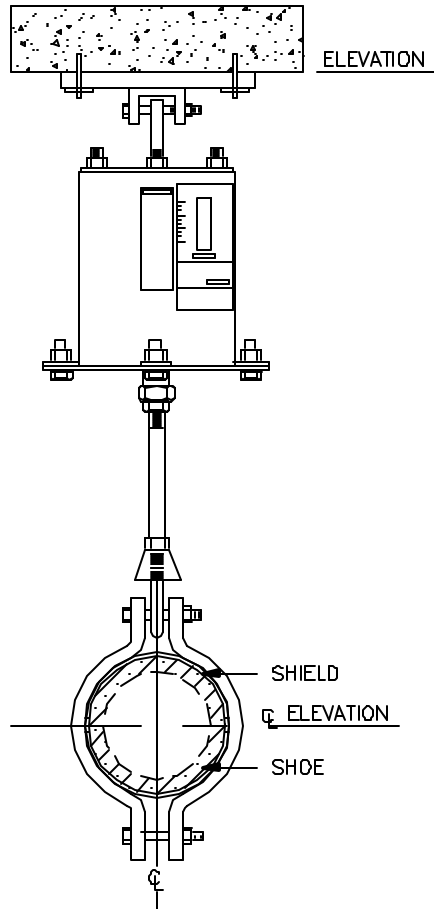


### SPECIFICATIONS

INSULATION THK: \_\_\_\_\_  
 SHOE LENGTH: \_\_\_\_\_  
 LOADS: VERTICAL \_\_\_\_\_  
           LATERAL \_\_\_\_\_  
           AXIAL \_\_\_\_\_  
 TEMPERATURE: \_\_\_\_\_



Design: PT&P 6/2/1999 2:07 PM HS-6010

## NOTES

	FIGURE#: HS-6010 DESCRIPTION: MISCELLANEOUS SHOES, PRE-INS. HANGER SUPPORT, 360° INS.	
FUNCTION: USE OF A VARIABLE SPRING TO SUPPORT A LOAD AND ALLOW MOVEMENT OF AN INSULATED LINE. - - - -	CLIENT NAME: _____ PROJECT NAME: _____ REQUISITION#: _____ P.O.#: _____ DWG#: _____ MARK#: _____ PT&P JOB#: _____ ITEM#: _____ DATE: _____	
PIPE SIZE: 1/2" TO 42" NPS. MATERIAL: GALVANIZED OR HDG CARBON STEEL INSULATION: HIGH DENSITY CALCIUM SILICATE -		
TEMP RANGE: AMBIENT TO 1200°F LAYERING SY.: SEE LAYERING CHARTS SHOE LTH,(L): STANDARD SHOE AVAILABLE IN 12" & 18" LENGTHS		
TO ORDER: SPECIFY PIPE SIZE, INSULATION THK, LENGTH HENCE: (HS-6010)-NPS-THK -L		
LOADS: ALL LOADS ON ADJACENT CHART HAVE A SAFETY FACTOR OF 5		

## PIPING TECHNOLOGY & PRODUCTS, INC.

P.O. BOX 34506                      HOUSTON TEXAS 77234  
 3701 HOLMES RD.                    HOUSTON TEXAS 77051  
 TELE#:(713)731-0030                FAX#:(713)731-8640  
<http://www.pipingtech.com/>        E-MAIL: info@pipingtech.com





Hot Supports in a Plant Environment

Pipe size	L=12"	L=18"	Insulation thickness							
	Vertical Load(lbs)	Vertical Load(lbs)	1"	1-1/2"	2"	2-1/2"	3"	3-1/2"	4"	
			O.D.	O.D.	O.D.	O.D.	O.D.	O.D.	O.D.	
1/2"	70	139	3-1/8"	4-1/4"	5-1/4"	6-7/8"	7-7/8"	8-7/8"	9-7/8"	
3/4"	87	174	3-1/8"	4-1/4"	5-1/4"	6-7/8"	7-7/8"	8-7/8"	9-7/8"	
1"	109	218	3-3/4"	4-3/4"	5-13/16"	6-7/8"	7-7/8"	8-7/8"	9-7/8"	
1-1/4"	138	275	3-3/4"	5-1/4"	5-13/16"	6-7/8"	7-7/8"	8-7/8"	9-7/8"	
1-1/2"	158	315	4-1/4"	5-1/4"	6-7/8"	7-7/8"	8-7/8"	9-7/8"	11"	
2"	197	394	5"	6-1/16"	7-1/4"	8-1/8"	9-1/8"	10-1/8"	11-1/4"	
2-1/2"	238	477	5-1/2"	7-1/8"	8-1/8"	9-1/8"	10-1/8"	11-1/4"	12-1/4"	
3"	290	580	6-1/16"	7-1/8"	8-1/8"	9-1/8"	10-1/8"	11-1/4"	12-1/4"	
3-1/2"	332	663	7-1/8"	8-1/8"	9-1/8"	10-1/8"	11-1/4"	12-1/4"	13-1/4"	
4"	373	746	7-1/8"	8-1/8"	9-1/8"	10-1/8"	11-1/4"	12-1/4"	13-1/4"	
5"	461	922	8-1/8"	9-1/8"	10-1/8"	11-1/4"	12-1/4"	13-1/4"	14-1/2"	
6"	549	1098	9-15/16"	10-3/8"	11-1/2"	12-1/2"	13-1/2"	14-3/4"	15-3/4"	
8"	715	1430	11-1/2"	12-1/2"	13-1/2"	14-3/4"	15-3/4"	16-3/4"	17-3/4"	
10"	1782	2673	13-1/2"	14-3/4"	15-3/4"	16-3/4"	17-3/4"	18-3/4"	19-3/4"	
12"	2114	3171	13-15/16"	16-3/4"	17-3/4"	18-3/4"	19-3/4"	20-3/4"	21-3/4"	
14"	2321	3482	17"	18"	19"	20"	21"	22"	23"	
16"	2653	3979	19"	20"	21"	22"	23"	24"	25"	
18"	2984	4476	21"	22"	23"	24"	25"	26"	27"	
20"	3316	4974	23"	24"	25"	26"	27"	28"	29"	
24"	5969	7958	27"	28"	29"	30"	31"	32"	33"	
26"	6466	8621	29-1/2"	30-1/2"	31-1/2"	32-1/2"	33-1/2"	34-1/2"	35-1/2"	
28"	6963	9284	31-1/2"	32-1/2"	33-1/2"	34-1/2"	35-1/2"	36-1/2"	37-1/2"	
30"	7461	9948	33-1/2"	34-1/2"	35-1/2"	36-1/2"	37-1/2"	38-1/2"	39-1/2"	
32"	7958	10611	35-1/2"	36-1/2"	37-1/2"	38-1/2"	39-1/2"	40-1/2"	41-1/2"	
34"	8455	11274	37-1/2"	38-1/2"	39-1/2"	40-1/2"	41-1/2"	42-1/2"	43-1/2"	
36"	8953	11937	39-1/2"	40-1/2"	41-1/2"	42-1/2"	43-1/2"	44-1/2"	45-1/2"	
40"	9948	13263	43-1/2"	44-1/2"	45-1/2"	46-1/2"	47-1/2"	48-1/2"	49-1/2"	
42"	10445	13927	45-1/2"	46-1/2"	47-1/2"	48-1/2"	49-1/2"	50-1/2"	51-1/2"	