

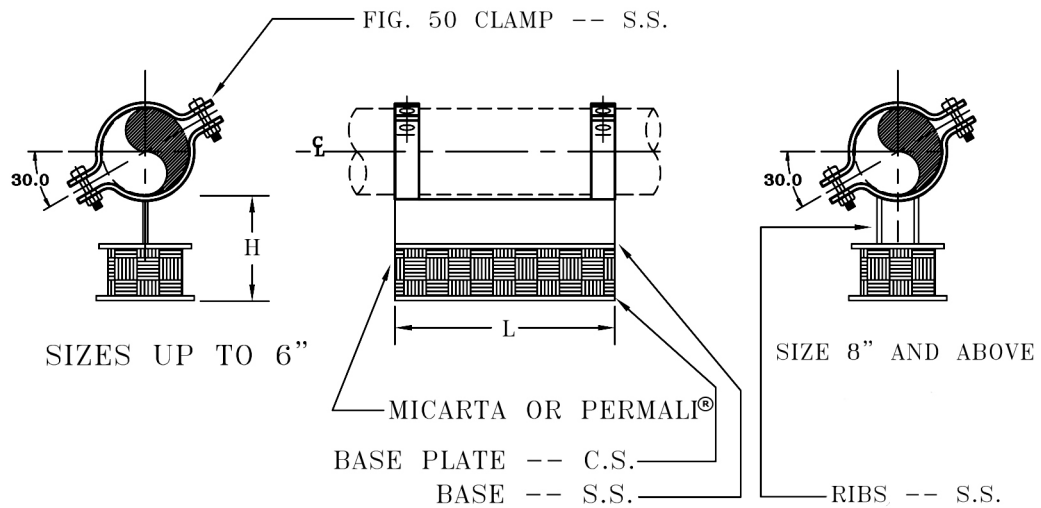


FIG. 4700

CLAMPED SHOE FOR INSULATED COLD LINES

www.pipingtech.com/fig4700

- MATERIAL:** Clamps and base - stainless steel
Base plate - carbon steel
Insulation - micarta® or permali®
- OPTIONS:** Support design can be modified for length, insulation thickness and axial movement.
Slide plates and guides are also available upon request.
- ORDERING:** Specify figure number, pipe size and description.



PIPE SIZE	H (in.)	L (in.)	AXIAL MVMT. (in.)	LOAD CAPACITY (lb.)	APPROX. WEIGHT (lb.)
3	6	12	4	4,000	34
4	6	12	4	5,000	35
6	6	12	4	6,000	52
8	6	12	4	6,000	60
10	6	12	4	8,000	93
12	6	12	4	8,000	136
14	6	12	4	8,000	164
16	6	12	4	12,000	183
18	8	12	4	12,000	352
20	8	12	4	15,000	415
24	8	12	4	15,000	538

PIPESH0ES02.XLS-07/17/09

Contact us for your requirements other than those listed above.