



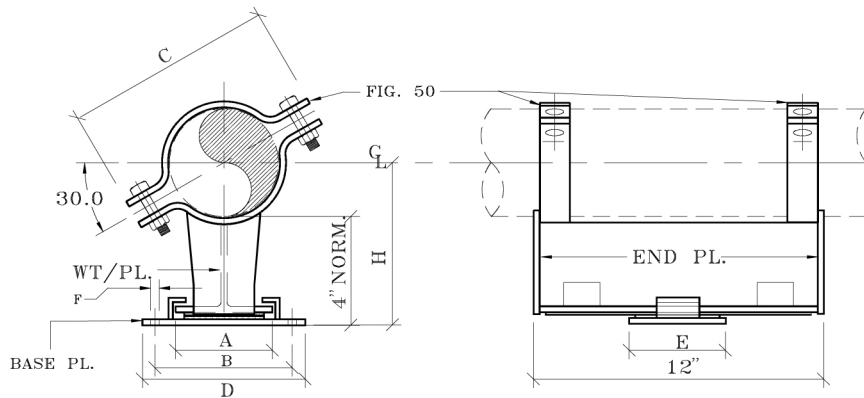
## FIG. 1200

## BOLT CRADLE SUPPORT WITH GUIDE & SLIDE PLATE CRADLED GUIDED SUPPORT

[www.pipingtech.com/fig1200](http://www.pipingtech.com/fig1200)

- MATERIAL:** Carbon steel
- FINISH:** Painted or hot dipped galvanized.
- OPTIONS:** Modifications in the dimensions A, B, C, D, and the slide plate material (PTFE, 25% glass filled or graphite) available upon request.
- ORDERING:** Specify figure number, pipe size, description, type, quantity, finish and slide plate material.
- ALLOWABLE LOADS:** The allowable vertical loads depend upon the pipe pressure and wall thickness.
- BONDING:** Graphite slide plates are usually bonded. For high temperature service above 500 °F specify bolted construction.

### BOLTED BASE



PIPE SIZE	A	B	C	D	E	F	H
2	4	9 1/4	5 1/2	11 1/4	5	13/16	5 3/16
2 1/2	4	9 1/4	6 3/8	11 1/4	5	13/16	5 7/16
3	4	9 1/4	7	11 1/4	5	13/16	5 3/4
4	4	9 1/4	8 9/16	11 1/4	5	13/16	6 1/4
5	4	9 1/4	9 11/16	11 1/4	5	13/16	6 13/16
6	4	9 1/4	11 5/8	11 1/4	5	13/16	7 5/16
8	4	9 1/4	13 7/8	11 1/4	5	13/16	8 5/16
10	4	9 1/4	17	11 1/4	5	13/16	9 3/8
12	4	9 1/4	18 15/16	11 1/4	5	13/16	10 3/8
14	4	9 1/4	21	11 1/4	5	13/16	11
16	4	9 1/4	23	11 1/4	5	13/16	12
18	7	13 3/4	25 7/8	16 1/4	5 1/2	15/16	13
20	7	13 3/4	28	16 1/4	5 1/2	15/16	14
24	7	14 1/4	33 1/2	16 1/4	5 1/2	15/16	16