

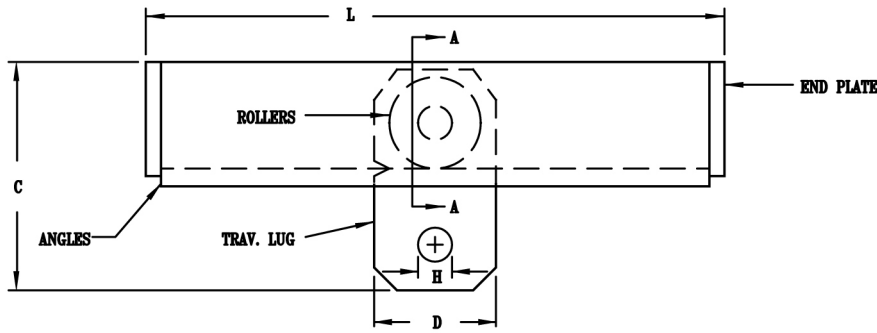


FIG. 270

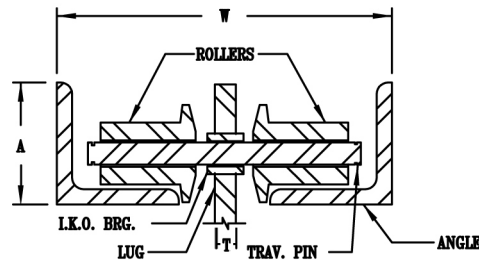
HORIZONTAL TRAVELERS

www.pipingtech.com/fig270

- SIZE RANGE:** Available in four sizes to take loads up to 20,700 lb. All sizes provide for 12" of horizontal travel.
- INSTALLATION:** Shipped ready for installation. Attach to the supporting steel by welding around the frame. Spring hanger may be bolted or welded to the load plate.
- FEATURES:**
- Highly economical
 - Minimum friction
 - Virtually dust proof
 - Compact - designed for minimum head room
 - Versatile
- ORDERING:** Specify figure number, size, description and "H" dimensions if required. Horizontal travelers can be designed for special loads, travels or dual directional travel upon request.



PROFILE



SECT. A-A

SIZE NO.	MAX. RECOM. LOAD (lb.)	APPROX. WEIGHT (lb. each)	A	B	C	D	H MAX.	L	T	W
1	3,770	15	2 1/2	1 5/8	5 3/8	2 1/2	1 1/8	15 1/8	3/4	4 5/8
2	6,230	37	3 1/2	2 5/8	7 7/8	3 1/2	1 3/8	16 3/8	3/4	6 3/4
3	11,630	69	5	3	10 1/2	5	1 3/4	17 7/8	1 1/2	9 3/4
4	20,700	102	6	3 1/2	12 1/2	6	2 1/2	19 1/8	2	10 1/4

SCOMPONENTS03.XLS-04/22/17

SUPPORT ASSEMBLY COMPONENTS