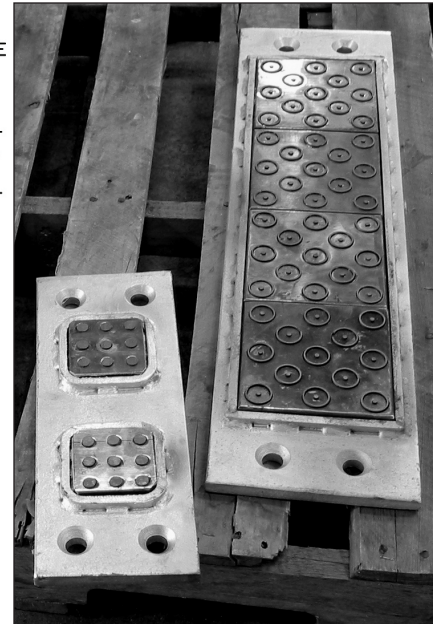
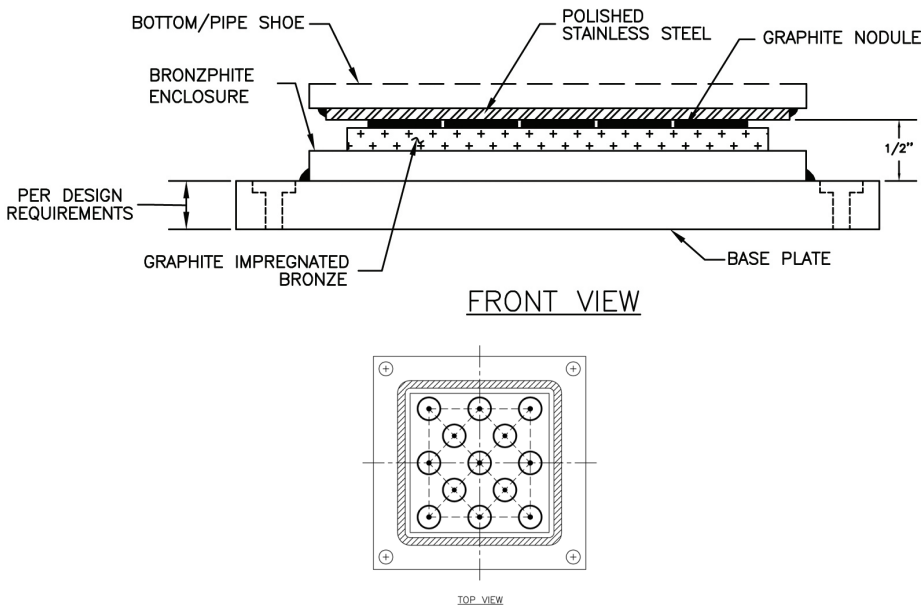




BRONZPHITE® SLIDE PLATE



SLIDE PLATES

ASSEMBLY: **Standard Assembly:** Graphite impregnated bronze plate combined with a carbon steel backing plate, to be field welded. Loads up to 5000 PSI, temperature: up to 1100 °F.

- ADVANTAGES:**
- Maintenance free.
 - Self lubricating.
 - High wear resistance.
 - Has an extended life.
 - Lubrication does not deteriorate with wear.
 - Prevents accumulation of dust and debris.
 - Higher durability than standard graphite.
 - Withstands extreme pressures and high temperatures.

APPLICATIONS: **Bridges:** Highway bridges, overpasses, railroad bridges.

Architectural in Wood, Concrete or Steel: Cross beam and girder slip joints, roof slabs and corbels, vibration pads, airport hangar doors, domes.

Industrial: Heat exchangers, dust collectors, heavy machinery, refinery equipment, wind tunnels, penstocks, vessels, pipelines, air preheaters, atomic energy applications, transmission towers, storage tanks, offshore drilling rigs.

- ORDERING:**
1. Please specify the dimensions of the upper plate and dimensions of the lower plate. It is common practice that the upper plate is generally larger than the lower plate.
 2. Specify base plate thickness.

INSTALLATION: **Welding:** Generally, tack weld with the electric arc along the outside edge for a solid installation. Wherever full weld is desired, a 1/4" weld is used along the sides of the base plate to the substrate. The full weld would prevent seepage of water between the Bronzphite® bearing and the support structure.

Installing in Concrete: When installing Bronzphite® slide plate assemblies in concrete, anchor bolts will be integrated into the base plates for attachment to either the concrete form rebar structure or simply within the concrete itself.