

2" PIPE SCH.40
WELDED TO 3"
PIPE SCH.40

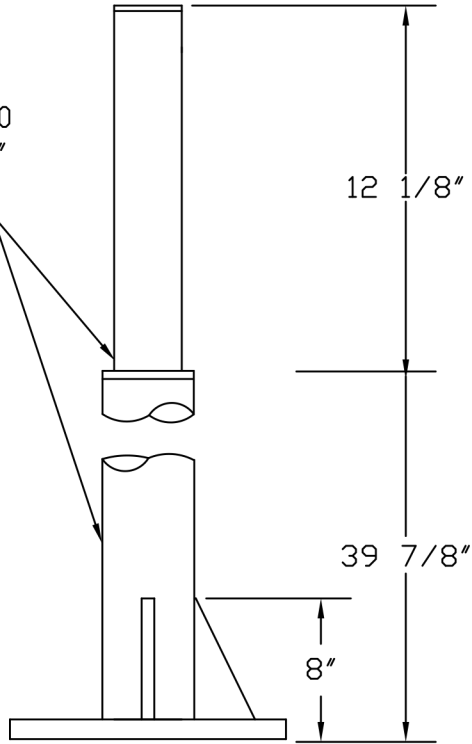
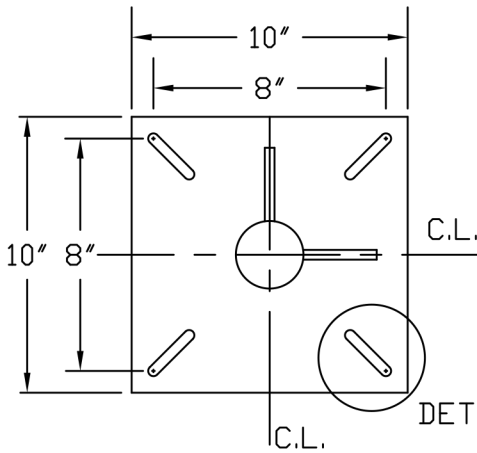


PLATE (1/4")



DETAIL A

Design, PT&P 9/20/1999 11:25 AM IS-44

CLIENT NAME: _____
 PROJECT NAME: _____
 REQUISITION#: _____
 PT&P JOB#: _____ ITEM#: _____
 P.O.#: _____
 DWG#: _____
 REV#: _____
 MARK#: _____
 FINISH: _____
 DATE#: _____

FIGURE#: IS-710S (3" PIPE MODULE)
 DESCRIPTION: PRIMARY INSTRUMENT SUPPORT MODULE, PREFAB,
 SINGLE INSTRUMENT STAND, 3" PIPE MODULE, FLOOR
 MOUNT, W/2" END SECT, 52" LONG, SCH 40
 CARBON STEEL.

**PIPING TECHNOLOGY &
 PRODUCTS, INC.**

P.O. BOX 34506
 3701 HOLMES RD.
 TELE#: (713) 731-0030
 http://www.pipingtech.com/

HOUSTON TEXAS 77234
 HOUSTON TEXAS 77051
 FAX#: (713) 731-8640
 E-MAIL: info@pipingtech.com

