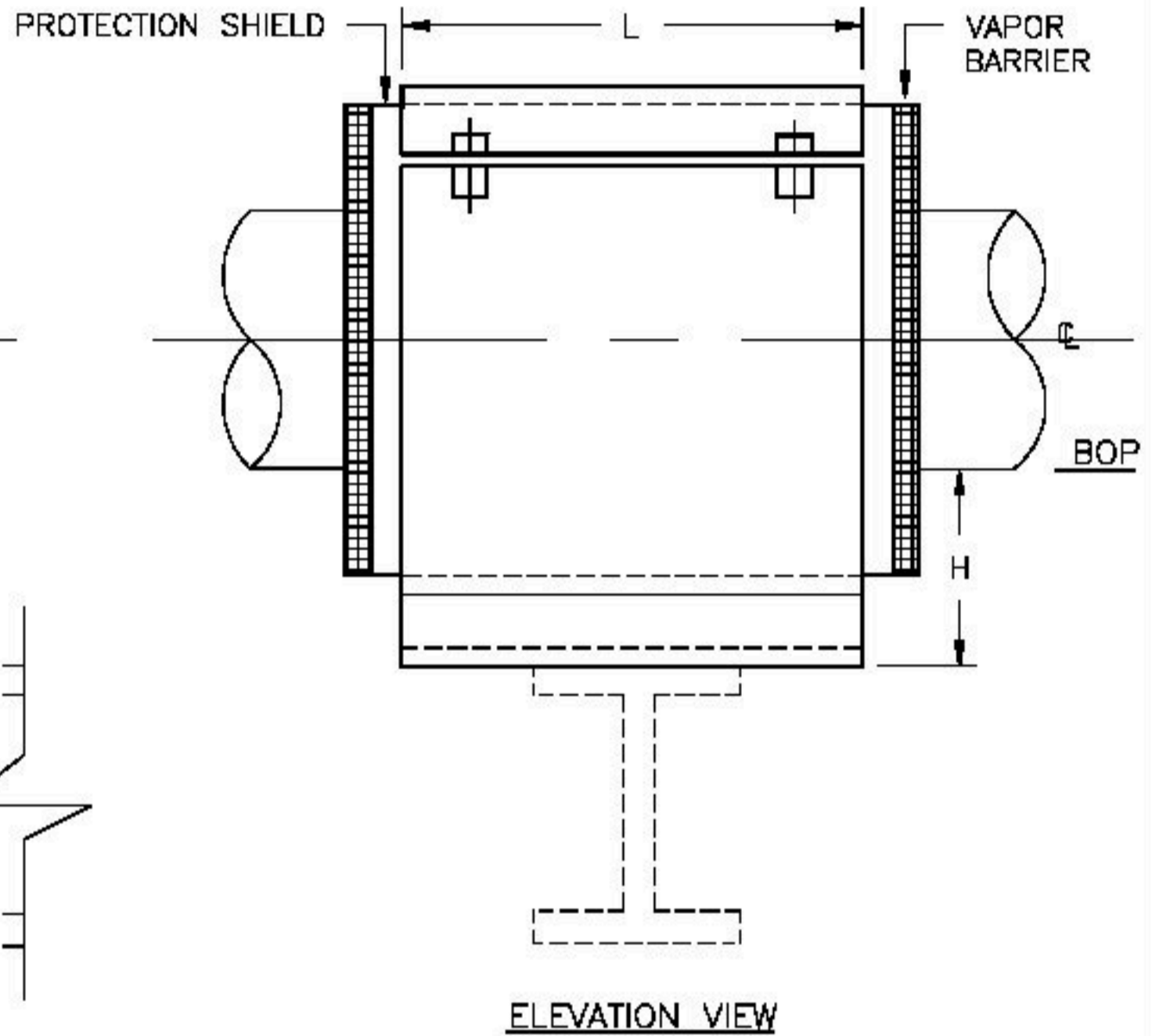
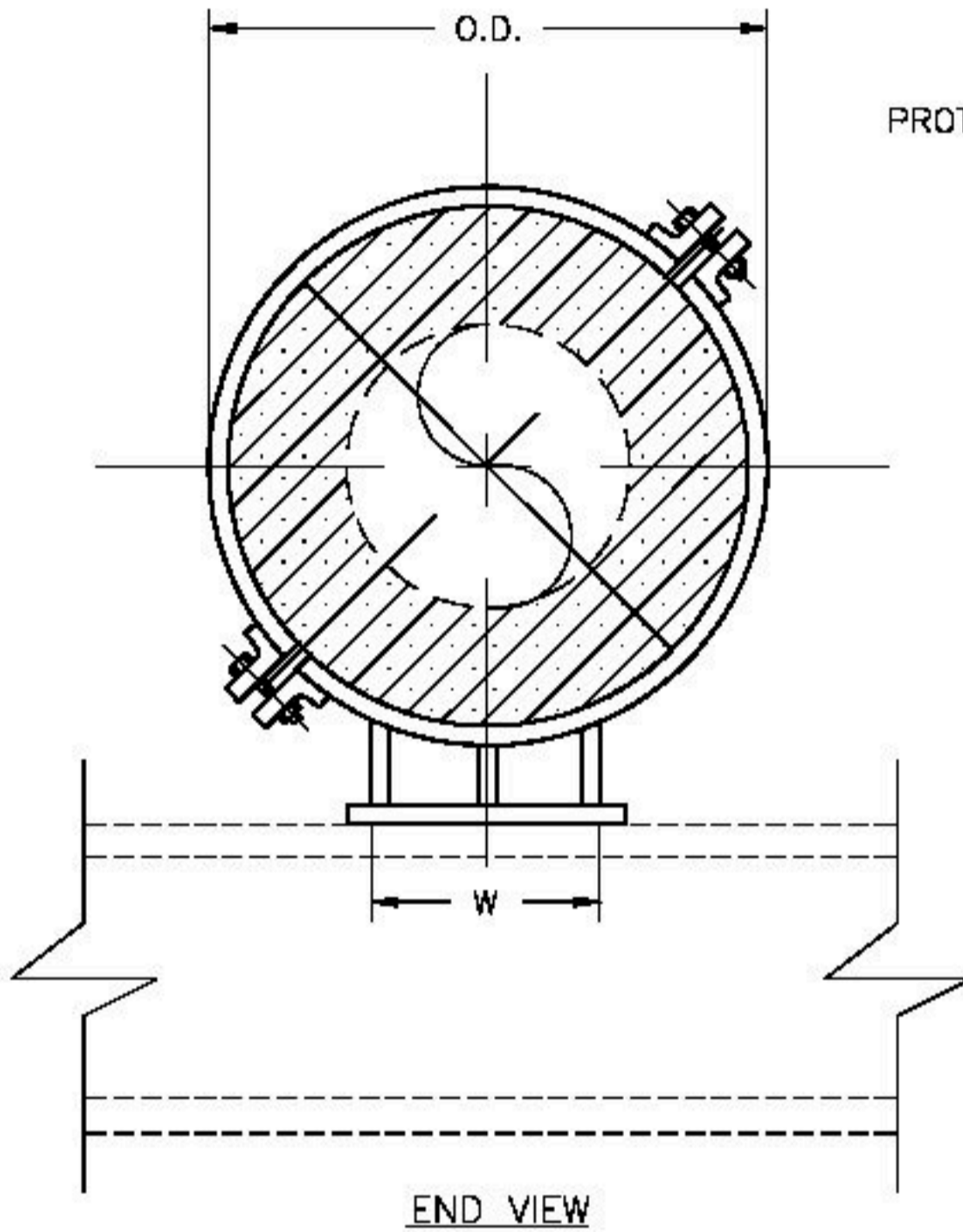


SPECIFICATIONS

INSULATION THK: _____
 SHOE LENGTH: _____
 LOADS: VERTICAL _____
 LATERAL _____
 AXIAL _____
 TEMPERATURE: _____



Design: PT&P 6/2/1999 10:43 AM HS-1031

NOTES

FIGURE#: HS-1031
 DESCRIPTION: RESTING SHOE, DOUBLE-T-BASE,
 360° INS., WITH BOLTS

FUNCTION: USE TO SUPPORT VERTICAL LOADS.

CLIENT NAME: _____
 PROJECT NAME: _____
 REQUISITION#: _____
 P.O.#: _____
 DWG#: _____
 MARK#: _____
 PT&P JOB#: _____ ITEM#: _____
 DATE: _____

PIPE SIZE: 24" TO 42" NPS.

MATERIAL: GALVANIZED OR HDG CARBON STEEL

INSULATION: HIGH DENSITY CALCIUM SILICATE

TEMP. RANGE: AMBIENT TO 1200°F

LAYERING SY.: SEE LAYERING CHARTS

SHOE LTH,(L): STANDARD SHOE AVAILABLE IN
12" & 18" LENGTHS

TO ORDER: SPECIFY PIPE SIZE, INSULATION THK., LENGTH
HENCE: (HS-1031)-NPS-THK.-L

LOADS: ALL LOADS ON ADJACENT CHART
HAVE A SAFETY FACTOR OF 5

PIPING TECHNOLOGY & PRODUCTS, INC.

P.O. BOX 34506
 3701 HOLMES RD.
 TELE#:(713)731-0030
<http://www.pipingtech.com/>

HOUSTON TEXAS 77234
 HOUSTON TEXAS 77051
 FAX#:(713)731-8640
 E-MAIL: info@pipingtech.com

